



VT82C496G VT82C406MV

**GREEN PC 80486
PCI/VL/ISA SYSTEM**

DATA SHEET

DATE : April 20, 1995

VIA TECHNOLOGIES, INC.

Table of Contents

Features.....	1
1. Fully IBM PC/AT Compatible.....	1
2. Flexible CPU and Local Bus Interface	1
3. Advanced Cache Controller.....	1
4. Fast Page Mode DRAM Controller	1
5. Synchronous ISA Bus Controller.....	2
6. Integrated Power Management Unit	2
7. Integrated Local Bus IDE Controller.....	2
8. High Integration and Complete Functionality	2
9. 0.8um high speed and low power CMOS process	2
10. 208-pin PQFP package.....	2
 Overview	 3
 Functional Description	 5
1. Clock Logic.....	5
2. CPU Interface.....	6
3. Co-processor Interface	6
4. Local Bus Interface.....	7
5. Advanced Cache Controller.....	7
5.1. Write-back and write-through Cache Schemes	7
5.2. Cache Organization.....	8
5.3. Cache Operation	9
5.4. Cacheable Region	10
5.5. Cache Parameters.....	11
6. Page Mode DRAM Controller	12
7. Shadow RAM and ROM Decoding	14
8. ISA Bus Controller	15
9. Local Bus IDE Controller	16

10. Power Management Unit	17
10.1. Primary/Secondary Activities and the Idle Timers	17
10.2. General Purpose Timer and Extended Peripheral Timer	18
10.3. System Management Interrupt	18
10.4. Automatic Mode Switching	19
10.5. Zero Voltage Suspend and Shadow Registers.....	21
11. IO Address Map	21
12. Scan Logic	23
13. Configuration Registers	23
VT82C496G Signal Description.....	24
ELECTRICAL CHARACTERISTICS	31
208-Pin Plastic Flat Package.....	55

5020 Brandin CT.
Fremont, CA 94538
USA

TEL: 1-510-683-3300 FAX: 1-510-683-3301

8th. Fl., No. 533
Chung-cheng Rd., Hsin-tien
Taipei, Taiwan, R.O.C.

TEL: 886-2-218-5452 FAX: 886-2-218-5453

VIA VT82C496G GREEN PC 80486 PCI/VL/ISA System

Features

1. Fully IBM PC/AT Compatible

2. Flexible CPU and Local Bus Interface

- Supports 80486SX/DX/DX2/DX4 and compatible CPUs
- CPU speed up to 100 Mhz including 80486DX-50, 80486DX2-66 and 80486DX4-100
- Supports CPUs with write-back internal cache, e.g. P24D, P24T and Cx486DX/DX2
- Snoop filtering for write-back CPUs
- Supports SMI protocols of Intel, AMD, TI and Cyrix CPUs
- CPU clock stretching and throttling
- Zero frequency and zero voltage CPU suspend
- Soft and hard CPU reset
- Direct VESA and other local bus interface with DMA/master access
- Built-in arbitration for two local bus masters

3. Advanced Cache Controller

- Write back/write through scheme
- Direct map scheme
- Flexible cache size: 0K/32K/64K/128K/256K/512K/1MB
- One bank or two banks of data independent of cache size
- Integrated 8-bit tag comparator
- Interleaved SRAM access to achieve 2-1-1-1 burst fill
- Supports burst read and burst write transfers
- System and video BIOS cacheable and write-protect
- Programmable cache timing
- Programmable non-cacheable region
- Optional combined tag and alter bit SRAM for the write-back scheme
- Eight bit tag under the combined tag-alter scheme without sacrifice of cacheable space

4. Fast Page Mode DRAM Controller

- Mixed 256K/512K/1M/2M/4M/8M/16MxN DRAMs
- 8 banks up to 128MB
- Flexible column and row addresses
- 30 pin (x9) and single/double density 72 pin (x36) SIMM module support
- Programmable DRAM timing

- BIOS shadow at 16KB increment
- 256/384K memory relocation
- System management memory remapping
- Decoupled DRAM refresh with staggered RAS timing
- CAS-before-RAS and slow refresh

5. Synchronous ISA Bus Controller

- Synchronous ISA bus clock
- Programmable wait state, command delay and IO recovery time
- Bus conversion and data alignment
- Hardware and software de-turbo control
- Fast reset and Gate A20 operation
- Integrated 82C206 peripheral controller
- Edge trigger or level sensitive interrupt controller
- Flash EPROM and combined BIOS support

6. Integrated Power Management Unit

- Normal, conserve, doze, sleep and suspend modes
- System event monitoring with two event classes and two idle timers
- Primary and secondary interrupt differentiation for individual channels
- One extended peripheral timer and one general purpose timer
- Automatic conserve mode operation for short and frequent system idleness
- Modular clock and modular power
- CPU clock stretching, throttling or stop without affecting the ISA bus clock
- Zero frequency operation with automatic resume
- Zero volt operation with leakage control
- Four general purpose IO or power control ports
- APM 1.1 compliant

7. Integrated Local Bus IDE Controller

- 32-bit host data transfer
- Mode-3 transfer capabilities (>10MB/s)
- Programmable read/write, master/slave and active/recovery timing in units of CPU clock
- Prefetch and write buffers
- Support either primary (1F0-1F7h) or secondary (170-177h) channel with two devices
- No external logic required

8. High Integration and Complete Functionality

- Glueless interface with the VT82C406MV IXP (Integrated X-bus Peripheral Controller, 100PQFP) to eliminate the multi-clock generator, the keyboard controller with PS2 mouse, the DS-1285 style real time clock with extended CMOS RAM and the address buffers.
- 9 TTLs for a complete main board implementation
- Optional VT82C505 (160 PQFP) to bridge a VL/ISA system to the PCI bus

9. 0.8um high speed and low power CMOS process

10. 208-pin PQFP package

Overview

The VT82C496G is a cost-effective implementation of a high integration, high performance and high energy efficient VL/ISA system based on the 80486SX/DX/DX2/DX4 or compatible processor. With an optional VT82C505 VL-PCI bridge, the system can be extended to the PCI/VL/ISA platform that offers top rated PCI performance and proven PCI-2.0 compliance. In either case, the VT82C496G interfaces directly with the VT82C406MV IXP (Integrated X-bus Peripherals) that replaces the multi-clock generator, the keyboard controller with PS2 mouse support, the DS-1285 style real time clock with 128 byte of CMOS RAM and certain amount of glue logic. Less than ten TTLs are required for a complete main board implementation in addition to the chips mentioned above.

In addition to the VL bus controller, cache and DRAM controller and ISA bus controller with the 82C206 peripherals (DMA, interrupt controller and timer), the VT82C496G also includes a flexible CPU interface, a notebook class power management unit and a local bus IDE controller to meet the demand of the state-of-art computing requirement. The function block diagram of the VT82C496G is indicated in Figure 1. The system block diagram of a PCI/VL/ISA system based on the VT82C496G is indicated in Figure 2.

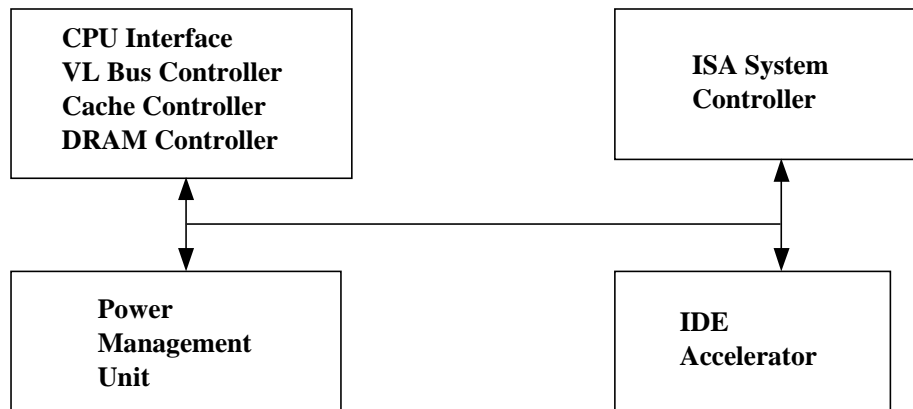


Figure 1. VT82C496G Function Block Diagram

The VT82C496G supports the state-of-art 80486 families from major CPU vendors including Intel, AMD, TI and Cyrix. The write-back internal cache, burst write transfer, CPU clock stop and switching protocol and system management mode are supported to the full capability of individual CPUs. The VT82C496G supports two VL devices in addition to the embedded local bus IDE controller without any glue logic. Both VL devices can be of the master type and the arbitration logic is integrated inside the chip. More VL devices can be supported with external glue logic.

The integrated power management unit monitors IO events, interrupt, DMA and VL master request signals to detect the status of system activity. Each event can be turned off or assigned to one of two event classes tracked by two independent idle timers. Two additional general purpose timers are also provided for house-keeping or mode switching purposes. One of the timers can also be used to keep track the activity of specific peripheral devices. The system management interrupt (SMI) may be triggered by multiple sources including time-out of individual timers, occurrence of system activities, external input and software programming for flexible applications. The SMI routine checks the status and takes appropriate actions including clock speed switching (or stop) and IO and power control. On top of the SMI-oriented power management capability, the VT82C496G also supports automatic conserve mode operation to conserve power under short and frequent system idleness (e.g. keyboard typing).

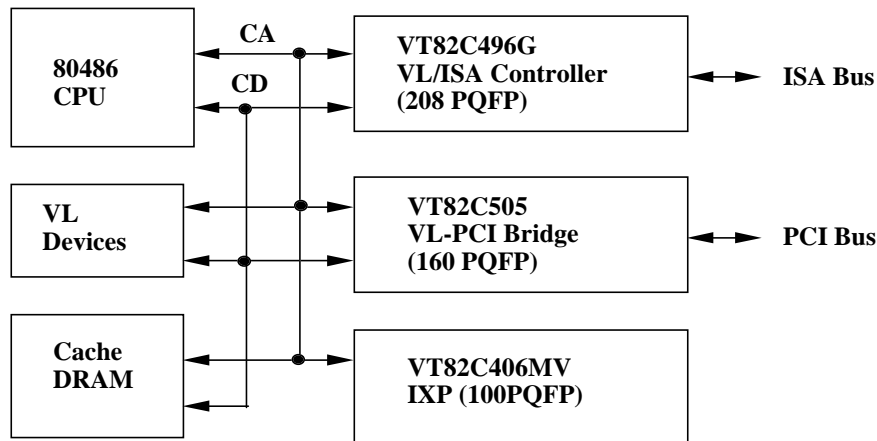


Figure 2. VT82C496G Based 80486 PCI/VL/ISA System

The embedded local bus IDE controller recognizes IDE IO port accesses as local bus cycles and provides prefetch and post-write buffers to allow concurrent CPU/VL and IDE bus operation. The controller supports either the primary (1F0-1F7h) or secondary (170-177h) enhanced IDE channels with two devices. The command and recovery time of each device can be individually programmed in units of CPU clock to achieve the optimal speed of the device up to >10MB/s transfer rate. The IDE devices share the same bus with the ISA bus with separate control signals so that no external logic is required.

The advanced cache controller supports direct-mapped cache up to 1MB in either write-through or write-back mode. In the write-back mode, the alter bit can either be eliminated or be combined with the tag bits so that only a single x8 standard static RAM is required. If x9 SRAM is used, the alter bit is available in addition to the 8-bit tag without sacrificing the cacheable region. Cache read and write timing is independently programmable to match with the CPU and SRAM speed. Interleaved access is allowed with two banks of cache to achieve 2-1-1-1 burst fill for the CPU internal cache. Burst write as well as burst read cycles are supported to optimize performance of local bus masters and CPUs with write-back internal cache.

The VT82C496G supports eight banks of DRAMs up to 128MB. The eight banks are grouped into four pairs and each bank can be independently made of 256K, 512K, 1M, 2M, 4M, 8M and 16MxN DRAMs. Zero, one or both banks of DRAMs may be populated in each pair. The only constraint is that if both banks within the same pair are populated, they must be of the same type. This constraint fits particularly well with the 72-pin x36 double side DRAM SIMM modules, although the 30-pin x9 SIMM modules and the 72-pin x36 single side SIMM modules are supported equally well. Critical DRAM timing parameters are individually programmable to allow optimal matching between the DRAM and CPU speed. To further enhance the system performance, decoupled refresh mechanism is used to allow system DRAM operation to continue before the slower ISA refresh is complete.

The VT82C496G supports shadowing of system, video and other BIOS to speed up the access. The video and system BIOS can also be made cacheable and write-protect. Unused portion of the DRAM can be relocated to increase the size of the overall system memory.

Access to either E or C segment can be programmed to be an on-board EPROM cycle to allow the combination of system and video BIOS for an all-in-one system board implementation. The VT82C496G can also be programmed to recognize write cycles as EPROM cycles to support field upgradability of flash EPROM BIOS.

The ISA bus controller runs synchronously with the CPU clock to eliminate the synchronization overhead associated with an asynchronous system. The wait state, command delay and IO recovery

time are programmable to allow maximum flexibility in using ISA add-on cards. The bus conversion and data alignment are performed automatically if the sizes of the master and the slave of a command do not match. Push-button suspend and resume function is provided in addition to the traditional hardware and software de-turbo mechanism. Fast gate A20 and fast reset logic is also included to allow faster response in a protected mode environment.

A rich set of configuration registers are provided for fine-tuning the cost and performance of individual systems. Standard parameters such as cache and DRAM configurations and ISA bus clock are automatically detected and programmed by the BIOS so that neither jumper nor BIOS settings is necessary.

The VT82C496G is ideal for high performance, high quality, high energy efficient and high integration desktop and notebook PCI/VL/ISA computer systems.

Functional Description

1. Clock Logic

The VT82C496G supports 80486SX/DX/DX2/DX4 and compatible processors up to 100Mhz including DX-50, DX2-66 and DX4-100. The CPU and VL bus interface, cache and DRAM controller runs at the same clock frequency as the CPU bus clock which may be fraction of the CPU internal frequency. For proper operation, bit 0 and 1 of XD bus need to be sampled high during the reset period (pulled up by 4.7K resistors). The other combinations configure the VT82C496G to support other CPU types.

The VT82C496G includes an internal clock processor to control the clock input to different function blocks independently to allow maximum compatibility, performance and power management of the system. For instance, the ISA bus clock remains unchanged while the CPU clock is slowed down or even stopped. The function block diagram of the clock processor with related logic blocks is indicated in Figure 3.

The CLKIN input takes the clock output from the VT82C406MV and derives the ISA bus clock based on the setting of bit 3-0 of internal register RX11h and the CPU clock based on the setting of bit 7-5 of internal register RX56h. The relationship of the ISA bus clock and the CPU clock relative to the clock input is indicated below.

RX11h bit 3-0 (ISA bus clock):	0---	- CLKIN/8	
	1000	- CLKIN/3	1001 - CLKIN/2
	1010	- CLKIN/4	1011 - CLKIN/6
	1100	- CLKIN/5	1101 - CLKIN/10
	1110	- CLKIN/12	1111 - OSC/2 (asynchronous)
RX56h bit 7-5 (CPU clock):	000	- CLKIN	001 - CLKIN/4
	010	- CLKIN/8	011 - CLKIN/16
	100	- CLKIN/32	101 - CLKIN/64
	110	- CLKIN/2	111 - 0

The frequency of CLKIN from the VT82C406MV is determined by bit 3-0 of internal register RX56h as follows:

0000 - 16Mhz	1000 - 8Mhz	0001 - 40Mhz	1001 - 20Mhz
0010 - 50Mhz	1010 - 25Mhz	0011 - 80Mhz	1011 - 40Mhz
0100 - 66Mhz	1100 - 33Mhz	0101 - 100Mhz	1101 - 50Mhz
0110 - 8Mhz	1110 - 4Mhz	0111 - 60Mhz	1111 - 30Mhz

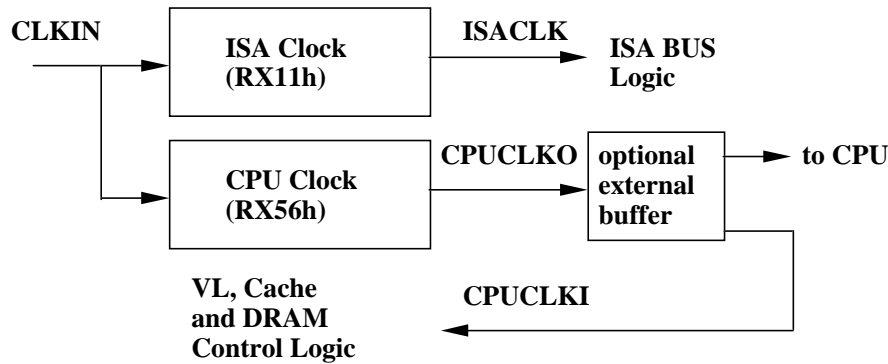


Figure 3. VT82C496G Clock Processor

2. CPU Interface

The VT82C496G responds to all CPU generated bus cycles except when either of the two LDEV# inputs is sampled low at the end of the first T2 cycle indicating a local bus access. The sampling time can be postponed by one CPU clock if one wait state cache hit timing is set in register RX51h. ADS#, M/IO#, W/R#, D/C# and the address lines are examined to determine which type of cycle to generate. Upon completion of a command, READY# is returned to the CPU. To allow burst fill of the 80486 internal cache, BRDY# is returned instead of READY# if a memory read cycle results in a cache hit. To support burst write of write-back CPUs and local bus masters, bit 1 of RX50h needs to be turned on. To allow DRAM cycles to be burstable, bit 1 of RX32h needs to be turned on.

The coherency of the 80486 internal cache with the rest of the system is maintained by the KEN#, EADS# and HITM# pins. KEN# is normally active for a memory read cycle. If the CPU address lies outside the cacheable region, KEN# becomes inactive after the first burst transfer so that the data is not cached inside the CPU.

The EADS# pin is asserted during DMA and master write cycles to snoop the internal cache. For DMA cycles, the CPU address is driven from the integrated DMA controller of the VT82C496G. For ISA master cycles, the CPU address is driven from the ISA bus through the integrated buffer inside the VT82C406MV. The CPU address lines CA[27:31] need to be pulled down to ensure a correct address during internal cache invalidation.

For CPUs with write-back internal cache, EADS# is asserted for read as well as write DMA/master cycles. The W/R# is connected to the INV pin of the CPU to allow proper CPU response. The HITM# from the CPU indicates an altered internal cache line is hit and needs to be written back to the system before activation of the intended memory access is performed. To minimize the snoop overhead, a snoop filtering mechanism is implemented so that consecutive accesses to the same cache line may be snooped only once (set bit 4 RX5Eh to 1).

The VT82C496G supports CPUs with various SMI and clock switching protocols. Please refer to the section of Power Management Unit for details.

3. Co-processor Interface

The VT82C486A supports 80387DX/SX and compatible numerical co-processors for use in high performance floating point math applications in 80386DX/SX systems.

If the system contains a co-processor, the interface signals NPERROR# (error), NPBZ# (busy) and NPREQ# (pereg) are sent from the co-processor to the VT82C486A to produce proper interface signals for the CPU. The VT82C486A determines the presence of co-processor at reset. If no co-processor is present in the system, any attempt to access the co-processor causes READY# signal to be returned to

the CPU. If a co-processor is present, such a cycle is handled by the co-processor and the ready signal is fed through the LRDY# pin to be returned to the CPU.

The state of NPBZ# is always passed through to BUSY# for the CPU indicating that the co-processor is processing a command. NPEROR#, when active, generates IRQ13 for PC/AT compatibility. It also latches BUSY# to prevent the CPU from attempting to use the co-processor until the error handling interrupt routine is executed. The interrupt routine inactivates the latched BUSY# by performing a write to IO port F0h or by issuing an NPRESSET. If there is no co-processor present, the BUSY# pin generates an active low repetitive pulses to prevent system from hanging-up.

NPBUSY# is latched in at the falling edge of the NPEROR# and ORed with the NPREQ# signal to generate the PEREQ signal to the CPU. The PEREQ signal reflects only the NPREQ# signal after a dummy write to IO port F0h.

4. Local Bus Interface

The VT82C496G supports local bus devices following the VESA local bus specifications. A local bus slave responds to a CPU or local bus master by decoding the command and the CPU address. If the command and address belong to the responsibility of a local bus device, LDEV# is driven low to indicate to the VT82C496G not to take any action until the completion of the cycle. The VT82C496G supports two VL local bus devices in addition to the embedded IDE controller without any glue logic.

Local bus slaves can respond to a DMA or master command as well as CPU or local bus master commands. For a DMA or master cycle, a CPU command is emulated by the VT82C496G through translation of the bus command. For instance, a DMA or master memory read command generates a memory read command (M/IO# high and W/R# low) to the CPU local bus. ADS# is also activated at the start of the command to allow local bus devices to respond. If a local bus device responds, the data bus flow is controlled by the VT82C496G so that the device may be properly accessed by the DMA or master device.

The CPU local bus is arbitrated between the CPU, local bus masters and the system. The system request is initiated in response to a DMA, master or refresh request. The system request is arbitrated with the two LREQ# inputs from the local bus masters to generate the HOLD signal to the CPU. The CPU grants the control of the bus upon completion of the current cycle by activating HLDA. Depending on the result of the arbitration, the system or one of the two local bus masters is given the control of the bus. The local bus master is acknowledged by pulling the corresponding LGNT# low, upon which the local bus master generates the bus command according to the 80486 bus protocol. Except for the arbitration for the bus ownership, the entire system does not distinguish the local bus master device from the CPU.

5. Advanced Cache Controller

5.1. Write-back and write-through Cache Schemes

The VT82C496G supports direct-mapped cache systems with data size ranging from 32KB to 1MB and line sizes ranging from 1 to 4 doublewords. Both write-back and write-through modes are supported. The tag size is 8 bit to fit the standard x8 SRAMs. No valid bit is required since all data are maintained valid after initialization. The alter bit SRAM that is required in a normal write-back cache may either be eliminated or be combined with other tag bits in the same SRAM. In all cases, only one x8 SRAM is required and the cost of component and board space is minimized.

The advantage of a write-back cache is that faster performance can be achieved for a cache write-hit cycle. The disadvantage is that when a new cache line needs to be brought into the cache due to a read miss, the original cache line needs to be written back to the DRAM if the line is altered during its cache residence. The relative performance between the write-through and write-back schemes depends on the cache-hit ratio of the application and the relative timing among cache write-hit, DRAM read and DRAM write cycles. The faster DRAM write cycles relative to DRAM read and cache write cycles, the

better the write-through scheme. The VT82C496G supports both schemes so that the performance may be fine tuned according to the exact working environment.

If the alter bit is eliminated in the write-back scheme, the replaced cache line is always assumed to be altered unless the line lies in a write-protect region. Although minimal, there is a performance degradation associated with this scheme. To combine the alter bit with the tag bits, the performance degradation is removed at the expense of a reduced cacheable region since 7 bits instead of 8 are used as cache tag. Once again, the VT82C496G supports both write-back schemes so that the performance may be fine tuned according to the working condition.

The difference in the three cache schemes (two write-back and one write-through) lies in the interpretation of the tag bits. The hardware remains the same and the configuration is completely done in software (RX50h and RX5Eh):

Cache Scheme	RX5Eh bit 6	RX50h bit 4
write-back, combined tag/alter bit (default)	0	0
write-back, no alter bit	0	1
write-through	1	-

To preserve the performance advantage of the alter bit without sacrificing the cacheable region, the VT82C496G allows a fourth cache scheme: eight-bit-tag-plus-an-alter-bit scheme, however a x9 SRAM is required. Furthermore, the pin definition and external connection are slightly different from the above three schemes.

In this scheme, the original 8 bits are used as tags like the write-through and write-back-with-no-alter-bit schemes. The alter bit now comes from the original DC pin of the chip. The DC signal in this case is combined with the HITM# pin and needs to be de-multiplexed by external logic. The pin definition is determined by the condition of MA9 during the reset period. If MA9 is sampled low, the pin is used as the alter bit and the 8-bit-tag-plus-alter-bit scheme is possible. If MA9 is sampled high, the pin is used as the DC signal and no external logic is required.

5.2. Cache Organization

The VT82C496G can be programmed for one or two banks of cache data SRAMs independent of the cache size. The cache organization for various data sizes is listed in Table 1. The number in the third and sixth columns of the table (tag data and cacheable region) is based on the assumption of an 8-bit tag. If 7-bit tag is used, then the highest address bit in the tag data is lost and the cacheable region is reduced in half. For instance, if the cache size is 256KB and the line size is 4 doublewords (the fourth row), the tag data becomes A24:18 and the cacheable region reduces to 32MB. Furthermore, the table assumes 8Kx8, 32Kx8 and 128Kx8 SRAMs are used. Other configuration is also possible. For instance, if 64Kx4 or 64Kx8 SRAMs are used, 256KB cache can be made of one instead of two banks.

Data Size	Line Size	Tag Data	Cache Data	Index (Tag/Cache Addr)	Cacheable Region
32KB	4	A22:15 (8Kx8)	8K x 8	A14:4*	8MB
64KB	4	A23:16 (8Kx8)	8K x 8 x 2	A15:4#	16MB
128KB	4	A24:17 (8Kx8)	32K x 8	A16:4*	32MB
256KB	4	A25:18 (32Kx8)	32K x 8 x 2	A17:4#	64MB
512KB	4	A26:19 (32Kx8)	128K x 8	A18:4*	128MB
1MB	4	A26:20 (128Kx8)	128K x 8 x2	A19:4#	128MB

* A3SEL1 and A3SEL0 from the VT82C496G are connected to the other address bits of the data cache.

CCS#0 and CCS# 1 are connected to the chip select of the two banks of data cache, respectively. Furthermore, A3SEL0 and A3SEL1 are connected to one of the address lines (A3) of each bank, respectively.

Table 1. Cache Organization

5.3. Cache Operation

The VT82C496G contains an integrated 8-bit tag comparator for detecting cache hits. For either CPU, DMA or master cycles, the address of the command is compared with the data from the tag SRAM to determine if the cycle is a cache hit or cache miss.

The detailed action taken by the VT82C496G for a cache hit cycle is indicated in Table 2. The action for a read hit cycle is the same for the four cache schemes. The action for a write-hit cycle is different. The alter bit needs to be set to 1 for the combined alter/tag write-back schemes. The data is written into DRAM as well as cache for the write-through scheme.

Cycle Type	Action Taken
CPU Read	<ol style="list-style-type: none"> 1. Data (all four bytes) are read from the cache. 2. Cache data, tag and alter bits are unchanged.
CPU Write	<ol style="list-style-type: none"> 1. Data with the active bytes are written into the cache. 2. The tag is unchanged. 3. The alter bit is set to 1 (combined tag/alter scheme only). 4. The data is also written into DRAM (write-through scheme only).
DMA/master Read	<ol style="list-style-type: none"> 1. Data (all four bytes) are read from the cache. 2. Cache data, tag and alter bits are unchanged.
DMA/master Write	<ol style="list-style-type: none"> 1. Data with the active bytes are written into the cache. 2. The tag is unchanged. 3. The alter bit is set to 1 (combined tag/alter scheme only). 4. The data is also written into DRAM (write-through scheme only).

Table 2. Action Taken for a Cache-hit Cycle

The detailed action taken by the VT82C496G for a cache-miss cycle is indicated in Table 3.

Cycle Type	Action Taken
CPU Read	<ol style="list-style-type: none"> 1. The old cache data is written back to the DRAM (if the alter bit is set or no alter bit is used in the write-back scheme). 2. The entire data line is read from the DRAM and written into the cache. 3. The tag is updated. 4. The alter bit is reset to 0 (combined alter/tag scheme only). 5. The requested data is returned to the CPU.
CPU Write	<ol style="list-style-type: none"> 1. The data is written into the DRAM. 2. Cache data, tag and alter bits are unchanged.
DMA/master Read	<ol style="list-style-type: none"> 1. The data is read from the DRAM. 2. Cache data and tag are unchanged.
DMA/master Write	<ol style="list-style-type: none"> 1. The data is written into the DRAM. 2. Cache data, tag and alter bits are unchanged.

Table 3. Action Taken for a Cache-miss Cycle

A cache line is allocated on read misses only, not on write misses. The action taken during a cache miss cycle is largely identical for the four cache schemes except in read miss cycles. No write back action is required for a write-through cache since the DRAM data is always maintained coherent with the cache. For a write-back cache, the old cache line needs to be written back to the DRAM if the alter bit is set. If there is no alter bit, the line is assumed to be altered and the write back action is required (unless the line lies in a write-protect region).

The line size of the (external) cache is typically selected as four doublewords to match that of the CPU internal cache. A cache miss requires that the four doublewords corresponding to the same cache line be brought into the cache before the next CPU command can proceed. The CPU internal cache can either be filled at the same time or be filled after the entire line of the external cache is filled. The former mechanism, referred to as data streaming (enabled if bit 0 of RX50h is set) allows a slightly better performance but requires the cache controller to know in advance whether the CPU read cycle is a cache fill cycle so that the other three read cycles are guaranteed to appear in a burst sequence. The CACHE pin from the P24T CPU serves this exact purpose and pin 72 can be made to connect to this CACHE pin by setting bit 5 of RX5Eh to 1. This CACHE signal can also be derived using external logic for other CPU types.

There are three operating modes of the cache controller: enabled, initialization and disabled. In the enabled mode, the cache controller functions as a normal cache. If the cache is in the disabled mode, the cycle is passed to the DRAM controller. The data cache and tag bits are left unchanged. A non-cacheable cycle is treated as in the disabled mode even if the cache is enabled. The initialization mode is similar to the disabled mode except for a CPU read cycle, the data is written into the cache and the tag is updated with alter bit cleared.

5.4. Cacheable Region

Only on-board DRAM can be made cacheable. The cacheable region is determined by the following factors:

- the cache size,
- the tag size,
- the on-board DRAM size,
- the setting of the programmable non-cacheable region (RX41h and RX42h), and
- the cacheability of video and system BIOS as determined by the setting of RX40h.

The normal cacheable region is the minimum of the on-board DRAM size and 256 (128 if there are only 7 tag bits) times the cache size. The decoding of the normal cacheable region is built inside the chip so that no register setting is required.

The upper memory region (A0000h to FFFFFh) is an exception to the normal case. Since this region corresponds to memory-mapped IO ports, it is defaulted to be non-cacheable. However, the video (C0000h to C7FFFh) and system (E0000h to EFFFFh and F0000h to FFFFFh) BIOS can be made cacheable and write-protect by programming RX40h.

One other memory region inside the normal cacheable space can be made non-cacheable by programming the internal register RX41h and RX42h. The size of the region is from 64KB to 4MB. The base address of the region must be an integral multiple of the size of the region.

The cacheable region is consistent between the 80486 internal cache and the secondary cache through the use of the KEN# and EADS# pins to the CPU.

5.5. Cache Parameters

Cache hit timing can be programmed to be either zero or one-wait state in RX51h. The first read cycle, other read cycle (second to fourth cycle in a burst transfer), first write cycle and other write cycle can be programmed independently. For instance, the fastest burst transfer rate to fill the 80486 internal cache is 2-1-1-1; that is zero wait state for both the first read and other read cycles. Table 4 indicates the speed requirement of the tag and data SRAM for different CPU clock frequencies.

CPU Ext. Clock	Data SRAM	Tag SRAM	Read/write Timing
25Mhz	-25	-25	2-1-1-1/2-1-1-1
33Mhz	-20	-20	2-1-1-1/2-1-1-1
40Mhz	-20	-20	3-2-2-2/3-2-2-2
50Mhz	-15	-20	3-2-2-2/3-2-2-2

Table 4. Tag and Data SRAM Speed Requirement

The following internal registers are associated with the cache controller:

RX50h: Cache access mode

- bit 7-6: cache mode. 0x: disabled
10: enabled
11: initialization
- bit 5: direct data SRAM access
- bit 4: combined alter bit for the write-back cache (don't care for write through)
- bit 3-2: cache line size: 00/11: 4 bytes
01: 8 bytes
10: 16 bytes
- bit 1: burst write: 0: disable 1: enable
- bit 0: data streaming 0: disable 1: enable

RX51h: cache timing control

- bit 7,5: read hit: 00: 2-1-1-1 01: 2-2-2-2
10: 3-1-1-1 11: 3-2-2-2
- bit 6,4: write hit: 00: 2-1-1-1 01: 2-2-2-2
10: 3-1-1-1 11: 3-2-2-2
- bit 3: bank of data SRAM: 0: 1 bank 1: 2 banks

- bit 2-0: cache size

000: disable	001: 32KB
010: 64KB	011: 128KB
100: 256KB	101: 512KB
110: 1MB	111: illegal

RX5Eh: misc. cache control

- bit 7: CPU internal cache 0: write-through 1: write-back
- bit 6: external cache 0: write-back 1: write-through
- bit 5: pin 72 usage 0: BLAST# 1: CACHE# (P24T)
- bit 4-0: other usage

6. Page Mode DRAM Controller

The VT82C496G supports eight banks of DRAMs up to 128MB. The eight banks are grouped into four pairs and each bank can be independently made of 256K, 512K, 1M, 2M, 4M, 8M and 16MxN DRAMs. Zero, one or both banks of DRAMs may be populated in each pair. The only constraint is that if both banks within the same pair are populated, they must be of the same type. This constraint fits particularly well with the 72-pin x36 double side DRAM SIMM modules, although the 30-pin x9 SIMM modules and the 72-pin x36 single side SIMM modules are supported equally well. The DRAM type, size and single/double bank information is indicated in the following registers:

RX43h: pair 0/1 DRAM size and configuration

- bit 7-5: bank-pair 0 DRAM size (x2 if double bank):

000: 512KB	001: 1MB
010: 2MB	011: 4MB
100: 8MB	101: 16MB
110: 32MB	111: 64MB
- bit 4: number of banks of pair 0

0: 1 bank	1: 2 banks
-----------	------------

 (zero bank if bit 7-5 or RX20h is 0)
- bit 3-1: bank-pair 1 DRAM size (x2 if double bank):

000: 512KB	001: 1MB
010: 2MB	011: 4MB
100: 8MB	101: 16MB
110: 32MB	111: 64MB
- bit 0: number of banks of pair 1

0: 1 bank	1: 2 banks
-----------	------------

 (zero bank if bit 3-1 of RX20h is 0)

RX44h: pair 2/3 DRAM size and configuration

- bit 7-5: bank-pair 2 DRAM size (x2 if double bank):

000: 512KB	001: 1MB
010: 2MB	011: 4MB
100: 8MB	101: 16MB
110: 32MB	111: 64MB
- bit 4: number of banks of pair 2

0: 1 bank	1: 2 banks
-----------	------------

 (zero bank if bit 7-5 or RX21h is 0)
- bit 3-1: bank-pair 3 DRAM size (x2 if double bank):

000: 512KB	001: 1MB
010: 2MB	011: 4MB
100: 8MB	101: 16MB
110: 32MB	111: 64MB
- bit 0: number of banks of pair 3

0: 1 bank 1: 2 banks
(zero bank if bit 3-1 of RX21h is 0)

RX20h: pair 0/1 row/column address

- bit 7-5: number of column address for pair 0
 - 000: disabled 001: 9 bit
 - 010: 10 bit 011: 11 bit
 - 100: 12 bit others: illegal
- bit 4: page mode operation
 - 0: disable 1: enable
- bit 3-1: number of column address for pair 1
 - 000: disabled 001: 9 bit
 - 010: 10 bit 011: 11 bit
 - 100: 12 bit others: illegal
- bit 0: reserved

RX21h: pair 2/3 row/column address

- bit 7-5: number of column address for pair 2
 - 000: disabled 001: 9 bit
 - 010: 10 bit 011: 11 bit
 - 100: 12 bit others: illegal
- bit 4: reserved
- bit 3-1: number of column address for pair 3
 - 000: disabled 001: 9 bit
 - 010: 10 bit 011: 11 bit
 - 100: 12 bit others: illegal
- bit 0: reserved

The DRAM memory address generation is a function of the CPU and the DRAM type. DRAM row and column addresses are multiplexed onto the same MA bus. When operating in non-page mode or on page misses, a row address followed by a column address is generated during the DRAM access. On page-hits, only a column address is generated during the DRAM access.

DRAM cycles normally operate in page mode. Each RAS# is held active after a DRAM access has finished and is precharged only when subsequent cycle to the same bank does not access the same DRAM page, or if an asynchronous event such as a RAS time-out (bit 1 of RX33h set). DMA and master cycles do not employ the page mode and the RAS# signals are always precharged.

For all CPU accesses, DRAM cycles are generated synchronously with the CPU clock. Critical DRAM timing parameters are individually programmable in RX22h to allow optimal matching between the DRAM and the CPU speed. The parameters include:

- bit 7-6: RAS# precharge time: 1-4 cycles,
- bit 5-4: RAS# pulse width: 2-5 cycles,
- bit 3-2: Read cycle CAS# pulse width: 1-4 cycles,
- bit 1: Write cycle CAS# pulse width: 1-2 cycles, and
- bit 0: RAS# to column address/column address to CAS#: 1-2 cycles.

The VT82C496G supports decoupled DRAM refresh (bit 0 of RX03h set) to allow on-board DRAM operation to continue before the slower ISA refresh is complete. Furthermore, CAS-to-RAS refresh (bit 3 of RX40h set) and slow refresh (bit 2 of RX5Eh set) are also supported to conserve power consumption and to allow more flexibility in selecting DRAMs with different refresh address requirement. In all cases, the RAS timing is staggered during refresh to minimize the power supply noise.

7. Shadow RAM and ROM Decoding

The VT82C496G supports shadowing of system, video and other BIOS to speed up the access. The granularity is 16KB in address range C0000h to DFFFFh and 64KB in address range E0000h to FFFFFh. Read and write shadowing can be enable or disabled independently in each region. Furthermore, read access to address range C0000h-C7FFFh and E0000h-FFFFFh can be programmed to be cacheable and write protected to further enhance the performance of video and system BIOS access.

If shadow RAM is not enabled, memory range A0000h to FFFFFh can be relocated to the top of the local DRAM so that the memory size is increased by 384KB. If only C (C0000h-CFFFFh) and/or F segments are used for shadowing, then the memory size is increased by 256KB. No DRAM can be relocated if either D or E segment is used as shadow memory.

If the SMI capability is enabled, the memory range A0000h to BFFFFh is reserved for SM memory remap (RX5Bh bit 4 set) and cannot be relocated again. Therefore, the size of the increased memory reduces to 256KB and 128KB, respectively. The SM base memory depends on the CPU type: 30000h-4FFFFh for the Intel CPU (RX5Bh bit 6 reset) and 60000h-7FFFFh, otherwise (RX5Bh bit 6 set).

Accesses to either E or C segment can be programmed to be on-board ROM cycles. The E segment is used when the size of the system BIOS exceeds 64KB. The C segment is used when the video and system BIOS are combined into one single EPROM in an all-in-one system board implementation. A memory write cycle is typically not considered as a ROM cycle even if the address is decoded as such. To support flash EPROM which allows on-line modification of the memory content, the VT82C496G can be programmed to recognize such memory write cycles as ROM cycles (bit 6 of RX11h). Furthermore, memory address range 15MB to 16MB can be programmed to be ISA cycles (instead of normal on-board DRAM cycles) if bit 2 of RX32h is set.

The following internal registers are associated with the shadow RAM and ROM decoding:

RX30h: C0000h-CFFFFh shadow control

- bit 7: CC000h-CFFFFh read shadow
1 - enable 0 - disable
- bit 6: CC000h-CFFFFh write shadow
- bit 5-4: C8000h-CBFFFh read/write shadow
- bit 3-2: C4000h-C7FFFh read/write shadow
- bit 1-0: C0000h-C3FFFh read/write shadow

RX31h: D0000h-DFFFFh shadow control

- bit 7-6: DC000h-DFFFFh read/write shadow
- bit 5-4: D8000h-DBFFFh read/write shadow
- bit 3-2: D4000h-D7FFFh read/write shadow
- bit 1-0: D0000h-D3FFFh read/write shadow

RX32h: E0000h-FFFFFh shadow control

- bit 7-6: E0000h-EFFFFh read/write shadow
- bit 5-4: F0000h-FFFFFh read/write shadow
- bit 3-0: other usage

RX33h: ROM decoding and memory relocation

- bit 7: C8000h-CFFFFh decoded as ROM cycle
1 - enable 0 - disable
- bit 6: C0000h-C7FFFh decoded as ROM cycle
- bit 5: E8000h-EFFFFh decoded as ROM cycle
- bit 4: E0000h-E7FFFh decoded as ROM cycle
- bit 3-2: relocation 00 - disable 01 - illegal
 10 - 256K relocation 11 - 384K relocation

- bit 1-0: other usage

RX40h: ROM cacheable control

- bit 7: C0000h-C7FFFh cacheable and write-protect
1 - enable 0 - disable
- bit 6: F0000h-FFFFFh cacheable and write-protect
- bit 5: E0000h-EFFFFh cacheable and write-protect
- bit 4-0: other usage

8. ISA Bus Controller

The ISA bus is accessed in the CPU mode, DMA mode, ISA master mode and refresh mode.

For a CPU cycle, the cache and DRAM controller handles the entire transaction if the cycle is a cache or DRAM cycle. Otherwise, the cycle is an ISA bus cycle and control is passed to the ISA bus controller. The ISA bus controller is responsible for generating command signals IOR#, IOW#, MEMR#, MEMW# and BALE. The command delay, wait state and IO recovery time for normal ISA cycles can be set in register RX03h.

In the DMA mode, the integrated DMA controller generates the command and address signals. BALE is forced high for all DMA cycles. The AEN signal is asserted to indicate that the current address on the bus is for memory only and not to be decoded as an IO address. The DMA logic samples IOCHRDY# to extend bus cycles longer than the internally defined cycle length. The DMA controller runs either at the same or half the speed of the ISA clock (bit 6 of RX10h).

The ISA bus master mode is an extension of the DMA mode. A bus master can get control of the bus by requesting a DMA operation. Once the DMA is acknowledged, the MASTER# signal becomes active and the VT82C496G relinquishes control of the bus to the master until the signal becomes inactive.

During the refresh operation, the VT82C496G drives REFRESH# signals, a refresh address and MEMR# command onto the bus to start the refresh cycle. The BALE output is driven high during DMA and refresh cycles.

SA0-7 and SBHE# are handled by the VT82C496G directly while other address lines are handled by the address buffers inside the VT82C406MV.

The integrated interrupt controller is extended to support level sensitive interrupts in addition to the 8259A compatible edge trigger interrupts:

RX63h: IRQ15-9 interrupt mode

- bit 7: IRQ15 1 - level sensitive 0 - edge trigger
- bit 6: IRQ14
- bit 5: reserved
- bit 4: IRQ12
- bit 3: IRQ11
- bit 2: IRQ10
- bit 1: IRQ9
- bit 0: other usage

RX62h: IRQ7-3 interrupt mode and global control

- bit 7: IRQ7 1 - level sensitive 0 - edge trigger
- bit 6: IRQ6
- bit 5: IRQ5
- bit 4: IRQ4
- bit 3: IRQ3
- bit 2-1: other usage
- bit 0: global mode control
 - 0 - 8259A compatible mode (all interrupt edge triggered)
 - 1 - extended mode to enable RX63h and RX62h selection

9. Local Bus IDE Controller

The VT82C496G includes a local bus IDE controller that responds to host accesses to IDE device IO ports: address 1F0h-1F7h (or 170h-177h) as command block register space and address 3F6h-3F7h as control block register space. Two IDE devices with enhanced IDE specification such as higher capacity hard disks and CD-ROM devices are supported. The command active and recovery time of each device may be programmed in units of CPU clock independently to match the speed of the device and the CPU. Prefetch and post write buffers are also included to allow concurrent CPU/VL and IDE operation to further enhance the performance. The transfer rate can go beyond 10MB/s which covers the state-of-art mode-3 hard drives.

The internal configuration register RX71h-RX7Fh is associated with the embedded local bus IDE controller.

RX71h: mode register

- bit 7: reserved,
- bit 6: channel and IO port selection:
 - 0 - primary channel (1F0h-1F7h)
 - 1 - secondary channel (170-177h)
- bit 5: write buffer 1: enable 0: disable,
- bit 4: prefetch buffer 1: enable 0: disable,
- bit 3: internal LRDY# for write cycles:
 - 1: 1st T20: 2nd T2
- bit 2: internal LRDY# for read cycles:
 - 1: 1st T20: 2nd T2
- bit 1: read data to be presented to the CPU data bus:
 - 1: 1st T20: 2nd T2
- bit 0: internal IDE controller 1: enable 0: disable

RX72h: non-1F0/170h port access timing

- bit 7-4: the number of CPU clocks as command active time
- bit 3-0: the number of CPU clocks as command recovery time

RX73h: drive #0 read timing for 1F0/170h access

- bit 7-4: the number of CPU clocks as command active time
- bit 3-0: the number of CPU clocks as command recovery time

RX74h: drive #0 write timing for 1F0/170h access

- bit 7-4: the number of CPU clocks as command active time
- bit 3-0: the number of CPU clocks as command recovery time

RX77h: drive #0 address setup time
 - bit 1-0: the number of CPU clocks

RX78h,79h and 7Ch: drive #1 timing as defined in RX73h, RX74h and RX77h.

10. Power Management Unit

The VT82C496G includes a very sophisticated power management unit that features zero-frequency/zero-voltage suspend and automatic resume capability, automatic and manual mode switching, multiple SMI sources and event timers, primary and secondary event monitoring and clock/power/peripheral control. Such sophistication is traditionally available only from very advanced notebook chipsets.

10.1. Primary/Secondary Activities and the Idle Timers

The VT82C496G includes two idle timers to monitor the primary and secondary system activities. In addition to interrupt requests, the primary activities are classified into the following eight categories (RX52h, RX53h):

- bit 7: keyboard access (IO port 60h),
- bit 6: serial port access (IO port 3F8h-3FFh, 2F8h-2FFh, 3E8h-3EFh, 2E8h-2EFh),
- bit 5: parallel port access (IO port 378h-37Fh, 278h-27Fh),
- bit 4: video access (IO port 3B0h-3DFh and memory A/B segments),
- bit 3: hard disk and floppy access (IO port 1F0h-1F7h and 3F5h),
- bit 2: IO port 100h-3FFh,
- bit 1: external input (Turbo pin scanned in through VT82C406MV),
- bit 0: DRQ/LREQ: DMA and local master requests.

Each category can be enabled as primary activities by setting the corresponding bit of RX52h to 1. Each occurrence of a primary activity reloads the primary idle timer with a value determined by bit 3-1 of RX59h.

000 - disable	001 - 1 sec	010 - 8 sec	011 - 32 sec
100 - 1 min	101 - 8 min	110 - 16 min	111 - 32 min

The cause of the timer reload is recorded in the corresponding bit of RX53h while the timer is reloaded. If no primary activity occurs during the time period, the idle timer will time out and the VT82C496G can be programmed to trigger an SMI to switch the system to a power down mode.

The VT82C496G distinguishes two kinds of interrupt requests as far as power management is concerned: the primary and secondary interrupts. Like other primary activities, the occurrence of a primary interrupt demands the system to restore to its full processing capability. Secondary interrupts, however are typically used for house keeping tasks in the background unnoticeable to the user. The VT82C496G allows each channel of interrupt request to be declared as either primary or secondary in RX60h and RX61h.

- RX61h 1 - primary interrupt 0 - secondary interrupt

bit 7: IRQ15	bit 6: IRQ14	bit 5: IRQ13	bit 4: IRQ12
bit 3: IRQ11	bit 2: IRQ10	bit 1: IRQ9	bit 0: IRQ8
- RX60h

bit 7: IRQ7	bit 6: IRQ6	bit 5: IRQ5	bit 4: IRQ4
bit 3: IRQ3	bit 2: IRQ1	bit 1: IRQ0	

Like the primary activities, the primary interrupts can be made to reload the primary idle timer by setting bit 0 of RX60h to 1. The secondary interrupts do not reload the primary idle timer. Therefore the system will enter the power down mode eventually if no other events than the secondary interrupts

are happening periodically in the background. If bit 1 of RX5Fh is to set to 1, on the other hand, the secondary interrupts can be made to reload the secondary idle timer with one of four possible values determined by bit 3-2 of RX5Fh:

00 - 2 ms	01 - 16 ms	10 - 64 ms
11 - EOI + .125ms		

If the CPU clock is not at full speed (CLKIN) upon the occurrence of a primary interrupt, an SMI may be triggered to switch the clock frequency to full speed. For secondary interrupts, no SMI may be triggered but the clock is automatically switched to one of three possible values: CLKIN, CLKIN/2 or unchanged. For a normal secondary interrupt, CLKIN is used if bit 0 of RX5Fh is 0; otherwise CLKIN/2 is used. IRQ0 and IRQ8 may be further classified as sub-secondary interrupts by programming bit 1 and bit 2 of RX62h to 0, respectively. For sub-secondary interrupts, the CPU clock remains unchanged.

10.2. General Purpose Timer and Extended Peripheral Timer

The VT82C496G includes two reloadable timers to support various house keeping tasks. The two timers can be loaded by writing an 8-bit value into RX58h and RX57h, respectively. The time base for the two timers is determined by bit 7-6 of RX59h and bit 1-0 of RX5Dh, respectively:

00- disable	01 - 32.768Khz	10- 1 sec	11 - 1 min
-------------	----------------	-----------	------------

The time out of either timer can be programmed to trigger an SMI for proper system response. In addition to the house keeping function, the second reloadable timer also covers the functionality of a peripheral timer and will be referred to as the extended peripheral timer. Note that the purpose of the idle timers is to determine the system idleness through the monitoring of the primary and secondary activities. The purpose of a peripheral timer on the other hand is to monitor the activity of specific peripheral device or devices. The first reloadable timer will be referred to as the general purpose timer.

There are four categories of peripheral activities that can be monitored by the extended peripheral timer. They are enabled in bit 7-4 of RX65h:

- bit 7: keyboard access,
- bit 6: serial port access,
- bit 5: video access,
- bit 4: hard disk and floppy access.

The four categories are subsets of the primary activities as defined in RX52h. If the corresponding bit is set, the occurrence of the peripheral event will reload the extended peripheral timer with the value determined by RX57h and bit 1-0 of RX5Dh. The time-out of the general purpose timer and the extended peripheral timer can be programmed to trigger an SMI.

10.3. System Management Interrupt

There are eight possible sources for triggering an SMI (RX54h and RX55h):

- bit 7: primary idle timer time-out,
- bit 6: general purpose timer time-out,
- bit 5: primary activity occurrence,
- bit 4: primary interrupt occurrence,
- bit 3: external pin (Turbo) toggle,
- bit 2: DRQ/LREQ occurrence,
- bit 1: extended peripheral timer or secondary idle timer time-out,
- bit 0: software SMI.

If the corresponding bit of RX54h is set to 1, the occurrence of a event will trigger an SMI and the corresponding bit of RX55h will be set to 1 for investigation by the SMI routine. Note that bit 1 covers both the extended peripheral timer and the secondary idle timer. To distinguish between the two cases, bit 3-0 of RX65h are used (bit 3-2 correspond to the function of RX54h and bit 1-0 correspond to the function of RX55h)

- bit 3: peripheral timer time-out SMI enable,
- bit 2: secondary idle timer time-out SMI enable,
- bit 1: peripheral timer time-out status,
- bit 0: secondary idle timer time-out status.

One possible action of the SMI routine is to program the CPU clock into one of eight possible frequencies (bit 7-5 of RX56h):

000 - CLKIN 001 - CLKIN/4 010 - CLKIN/8 011 - CLKIN/16
100 - CLKIN/32 101 - CLKIN/64 110 - CLKIN/2 111 - 0

Value 000 indicates the full-on mode and the CPU along with the VL/cache/DRAM state machine runs at the same speed as the clock input from the VT82C406MV. Value 111 indicates zero frequency suspend operation in which the CPU clock is fully stopped and with proper external controls, the power supply to the CPU can be disconnected. Other values represent slow down CPU operations and the power saving is between the full-on and the suspend modes. Other than the clock frequency switching, the VT82C496G also provides four general purpose output ports which value can be set in bit 7-4 of RX5Ah by the SMI routine.

The setting of RX56h and RX5Ah depends on the power management model and the cause of the SMI. Through this basic mechanism, the VT82C496G is capable of supporting many different power management models. For instance, BIOS routines are ready made to support the standard APM (Advanced Power Management protocols by Microsoft and Phoenix) for a cooperative power management among the application software, operating system, BIOS and the hardware. To illustrate the capability and flexibility of the VT82C496G, take a simple model that supports full-on, doze and suspend modes.

Bit 7 and bit 3 of RX54h are set and bit 5, 4 and 2 are not set during the full-on mode. The occurrence of a primary activity reloads the primary idle timer without triggering an SMI so that no processing overhead is involved and the system performance is not degraded at all. The first SMI triggering happens when the idle timer is timed out or when the external pin is pushed by the user to force the system into sleep. The SMI routine slows down the CPU clock and puts the system into the doze mode. Bit 7 of RX54h is now turned off and bit 2, 4, 5 are turned on to monitor the occurrence of a primary activity which will trigger an SMI to put the system back into the full-on mode.

By setting bit 6 of RX54h to 1, the time out of the general purpose timer will trigger an SMI which can switch the system from the doze mode to the suspend mode. If a primary activity occurs before the time-out of the general purpose timer, the system goes into the full-on mode and bit 6 of RX54h is turned off and the time-out of the general purpose timer will be ignored.

10.4. Automatic Mode Switching

As is indicated above, most of the clock switching and peripheral control are handled by the SMI routine. This arrangement allows maximum flexibility in supporting various power management models under different application environments. The VT82C496G supports the SM protocols of major 80486 CPU types by programming RX5Bh.

- bit 7: power management mode enabling (this bit needs to be turned on to support any power management function),

- bit 6: SMI type: 0 - Intel 2-pin SMI (SMI#/SMIACT#),
pin 112 is used as SMIACT#,
SM base = 30000h to 4FFFFh,
1 - TI/AMD/Cyrix 3-pin SMI (SMI#/SMIADS#/SMIRDY#),
pin 112 is used as SMIADS#,
SM base = 60000h to 7FFFFh,
- bit 5: SMI target: 0 - SMI output to CPU
1 - SMI redirected to interrupt 15 of internal 8259 interrupt
controller (to support traditional non-SMI CPUs),
- bit 4: SM memory mapping enable: SM base memory as determined by bit 6 is mapped
to A0000h to BFFFFh.
- bit 3: enable direct DRAM access to the SMI target memory A0000h-BFFFFh,
- bit 2: other usage,
- bit 1: force 3000h-4FFFFh to map to A0000h-BFFFFh (to move SM code, without
causing local bus device conflict with A0000h-BFFFFh),
- bit 0: clock throttling enabling.

Bit 0 enables the clock throttling by controlling the STPCLK# period and duty cycle in RX02h.

- bit 4: STPCLK# throttling period: 1- 1.7ms * 16 0- 3.35us * 16,
- bit 3-0: duty cycle for STPCLK# 1/16 - 15/16.

The VT82C496G supports clock switching protocols of major 80486 CPU types by programming RX5Ch:

- bit 7: wait for a HALT cycle to start clock switching,
- bit 6: wait for an acknowledgment to start clock switching,
- bit 5: clock switching protocol: 1 - TI/Cyrix SUSP#/SUSPA# protocol,
pin 117 is used as SUSP# input,
0 - Intel STPCLK# protocol,
pin 117 is used as STPCLK# output.

Refer to Figure 3 for the modular clock processing logic of the VT82C496G. To switch the CPU clock by programming RX56h, the sequence of the clock switching protocol as determined by RX5Ch is followed. For CPUs that do not support any clock switching protocols, e.g., the traditional Intel 80486 CPUs, this operation is not reliable and the CPU clock switching relies on the smooth frequency switching characteristics of the multi-clock generator inside the VT82C406MV. The frequency of the clock input is determined by bit 3-0 of RX56h. The drawback for such CPUs is that the ISA bus is slowed down with the CPU clock unless OSC/2 is selected as the ISA bus clock. Furthermore, the CPU frequency can be slowed down but not fully stopped. In any case, the VT82C496G supports all CPU types to the individual maximal capabilities.

Clock switching is mostly initiated by the SMI routine, however, automatic clock switching is necessary in certain situations:

- from zero-frequency: the clock is automatically resumed upon SMI or interrupt request to allow the execution of the service routine,
- DRQ or LREQ occurrence: the clock is automatically switched to full on to allow proper synchronization between the CPU and ISA bus clock, and
- the conserve mode operation.

The conserve mode operation is performed automatically by the hardware, transparent to and superimposed upon the software-oriented power management model. The conserve mode parameters are stored in bit 7-4 of RX5Fh:

- bit 7-6: active period: 00 - 1/16 sec 01 - 1/8 sec
 10 - 1 sec 11 - 1 min,
- bit 5: conserve mode control : 0 - disable 1 - enable,
- bit 4: conserve mode clock select: 0 - CLKIN/2 1 - CLKIN/4.

The VT82C496G includes a conserve mode timer to support the conserve mode operation. Once enabled, the conserve mode timer is controlled by the occurrence of the primary activities as defined in RX52h, which reloads the conserve mode timer as well as the primary idle timer. The disadvantage of the software power management model based on the primary idle timer is that the SMI routine needs to be evoked to perform the clock and mode switching. Such overhead is negligible for a long period of system idleness but may be noticeable for short and frequent system inactivates, e.g. during keyboard typing. To conserve power consumption in such situations, the VT82C496G reduces the CPU clock to either half or a quarter of the full-on frequency (bit 4 of RX5Fh) automatically without any SMI and software overhead upon time-out of the conserve mode timer. Note that the time-out period for the conserve mode timer is a fraction of a second as opposed to seconds, minutes and hours for the primary idle timer. The occurrence of a primary activity switches the CPU clock to full speed and reloads the conserve mode timer.

10.5. Zero Voltage Suspend and Shadow Registers

In addition to zero frequency suspend, the VT82C496G supports zero voltage suspend to further conserve power consumption in the range of micro amperes.

The zero voltage suspend disconnects the power supply to the CPU (or any other devices) so that the CPU consumes absolute zero power. In addition to the requirement that the CPU clock frequency be put to absolute zero, all the signals that connect to the CPU bus need to be conditioned such that the power leakage may be minimum. Note that portion of the logic in the VT82C496G is still active during zero voltage suspend to monitor the system activity to resume the power and clock to the CPU to continue its operation. The VT82C496G is put on the leakage control mode to match with the zero voltage condition of the external CPU by setting bit 0 of RX59h to 1.

The VT82C496G provides a number of write shadow registers for those standard IO ports that are write-only. Such registers shadow IO write operations transparent to the software so that the values may be remembered while the corresponding device is powered down:

- RX68h : port 70h - RX69h: port 2F8h
- RX6Ah : port 3F8h - RX6Bh : port 372h
- RX6Ch : port 377h - RX6Dh : port 171h
- RX6Eh : port 177h - RX6Fh: port 376h

11. IO Address Map

Other than the two 82C37A compatible DMA controllers, two 82C59A compatible interrupt controllers, one 82C54 compatible counter/timer, the VT82C496G also includes the BIOS EPROM and VT82C406MV interface and the port B logic. Table 5 summarizes the IO address map for the ISA system. IO accesses are always run as ISA bus cycles, but the data steering depends on whether the IO location is on-chip, in the VT82C406MV or in the expansion ISA bus.

Address	Device	Location
00-0Fh	82C37A #1	on-chip
10h-1Fh	not used	
20h-3Fh	823C59A #1	on-chip
40h-43h	82C54	on-chip
44h-5Fh	not used	
60h	keyboard controller	VT82C406MV
61h	Port B	on-chip
62h-63h	unused	
64h	keyboard controller	VT82C406MV
65h-6Fh	not used	
70h (bit 7)	NMI enable	on-chip
70h-71h	CMOS, real time clock	VT82C406MV
80h-8Fh	DMA page register	on-chip
90h-91h	not used	
92h	Port A	on-chip
93h-9Fh	not used	
A0h-A3h	82C59A #2	on-chip
A4h-A7h	not used	
A8h-A9h	configuration register	on-chip
AAh-BFh	not used	
C0h-DFh	82C37A #2	on-chip
E0h-EFh	not used	
F0h	co-proc. busy clear	on-chip
F1h	co-proc. reset	on-chip
F2h-FFh	not used	
100h-1EFh	General IO location	ISA bus
1F8h-3F5h	General IO location	ISA bus
3F6h-3F7h	IDE control block register	on-chip
3F8h-FFFFh	General IO location	ISA bus

Table 5. IO Address Map

12. Scan Logic

The scan-in and scan-out logic uses the SCANIN and SCANOUT pins to communicate between the VT82C496G and the VT82C406MV. The signals to be scanned in to the VT82C496G from the VT82C406MV through the SCANIN pin are indicated in Table 6:

scan order	signal name	scan order	signal name	scan order	signal name
0	DRQ0	8	IRQ4	16	IRQ14
1	DRQ1	9	IRQ5	17	IRQ15
2	DRQ2	10	IRQ6	18	IRQ1
3	DRQ3	11	IRQ7	19	IRQ12
4	DRQ5	12	IRQ#8	20	A20 Gate
5	DRQ6	13	IRQ9	21	KBRC#
6	DRQ7	14	IRQ10	22	Turbo
7	IRQ3	15	IRQ11	23	reserved

Table 6. Scan-in Signal Sequence

On the other hand, the signals to be scanned out from the VT82C496G to the VT82C406MV through the SCANOUT pin are listed in Table 7:

scan order	signal name	scan order	signal name
0	ClkSel0	5	MouseLock
1	ClkSel1	6	RP13
2	ClkSel2	7	RP14
3	ClkSel3	8	RP15
4	reserved	9	RP16

Table 7. Scan-out Signal Sequence

Clksel0-3 reflect bit 3-0 of RX56h for the CLKIN frequency. RP13-16 are the jumper setting of MA0-3 at power on reset. These four bits are transmitted to the keyboard controller inside the VT82C406MV. These four bits can also be read from bit 3-0 of RX64h.

There are twenty-four scan-in signals and ten scan-out signals. Both the VT82C496G and the VT82C406MV use both edges of the OSC clock as the scan clock. After system reset, the two chips are initialized to the same scan order and the communication between the two chips runs forever.

13. Configuration Registers

Every internal register in the VT82C496G is assigned an 8-bit index. Two IO ports are used to access the entire register set: the index port at address A8 and the data port at A9. To access a register, first write the index into the index port and then read or write the data through the data port. For detail description of the configuration register, refer to application note "Configuration Registers for the VT82C496G".

VT82C496G Signal Description

Signal Name	Pin Number	Type	Signal Description
CLOCK CONTROL			
CLKIN	162	I	Clock input from the VT82C406MV.
CPUCLKO	118	O	Clock output that drives the CPU and local bus devices.
CPUCLKI	145	I	CPU clock input with minimum skew with the CPU and local bus devices.
CLKSEL0-3/ RAS#0-3	22, 23, 49, 50	B	Multi-function pin: 1. At power on reset: CLKIN frequency selection. 2. After power on reset: DRAM RAS# control.
SYSCLK	208	O	ISA bus clock.
OSC	187	I	14.318Mhz clock input from the VT82C406MV.
RESET CONTROL			
PWRGOOD	146	I	System power good signal generated from the power supply.
RESET#	144	O	Active low reset signal for the ISA system.
CPURESET	137	O	Reset for the CPU.
INIT	143	O	soft reset for CPUs with internal write-back cache.
CPU INTERFACE			
ADS#	109	B	Address Strobe. The falling edge indicates the start of a CPU local bus cycle.
MIO#	110	B	Memory/IO status. High indicates a memory cycle and low indicates an IO cycle.
WR#	111	B	Write/read status. High indicates a write cycle and low indicates a read cycle.
DC#/ Alter	120	B	Multi-function pin: 1. MA9 sampled high at reset: D/C# status indicatr. 2. MA9 sampled low: Alter bit for 8-bit-tag-with-alter-bit write-back cache.
BE#0	108	B	byte enable 0.
BE#1	107	B	byte enable 1.
BE#2	106	B	byte enable 2.
BE#3	105	B	byte enable 3.
NPBZ# /CA26	78	B	80486DX/SX: CPU address A26. Act as input during CPU cycles and output during DMA and master cycles. 80386DX/SX: Input from pin BUSY# of the 80387DX/SX. /Multi-function pin.
CA2-25	31-28,26- 23,154, 173- 166,160- 155,153	B	CPU local bus address. Act as input during CPU and master cycles and as output during DMA cycles.
A20M#	76	O	A20 mask output to the CPU.
CD0-31	71-62, 58- 53, 136-121	B	CPU data bus.
READY#	113	O	Ready output to the CPU.

EADS# /NPRESET	138	O	External ADS output to the CPU to force an internal snoop cycle. /80486DX/SX: External ADS output to the CPU to force an internal invalidation cycle. 80386DX/SX: Reset signal for the 80387DX/SX.
KEN# /PEREQ#	73	O	Cache enable output to the CPU to indicate whether the current cycle is cacheable. /80486DX/SX: Cache enable output to the CPU to indicate whether the current cycle is cacheable. 80386DX/SX: Output to pin PEREQ of the CPU.
HITM#	115	I	Input from CPUs with internal write-back cache to indicate the snoop cycle hits a dirty internal cache line.
BRDY# /NA#	59	O	Burst ready output to the CPU. /Multi-function pin
BLAST#/ CACHE# /NPREQ	72	I	Multi-function pin: 1. Bit 5 of RX5Eh is 0 : burst last input from the CPU. 2. Bit 5 of RX5Eh is 1 : burst cycle indicator. / 80486DX/SX: Burst last input from PEREQ of the 80387DX/SX.
HOLD	139	O	Hold request to the CPU.
HLDA	140	I	Hold acknowledge from the CPU.
STPCLK#/ SUSPA#	117	B	Multi-function pin: 1. Intel CPU: STPCLK# output to the SL enhanced CPU to request change of the CPU clock. 2. TI/Cyrix CPU: suspend acknowledgment input from the CPU. This pin is defined as SUSPA# at power on reset, and can be changed to STPCLK# by programming RX5Ch after reset.
SMI#	141	B	SMI output to the CPU.
FERR# /NPERR#	75	I	Input from pin FERR# of the CPU /Multi-function pin
IGNNE# /BUSY#	74	O	Output to pin IGNNE# of the CPU /Multi-function pin.
SMIACT#/ SMIADS#	112	I	Multi-function pin: 1. Intel CPUs: SMI active input from the CPU. 2. Other CPUs: SMI ADS# input from the CPU. The definition of this pin depends on the setting of RX5Bh.
INTR	191	O	Interrupt request to the CPU.
NMI	77	O	Non-maskable interrupt request to the CPU.
FLUSH#/ HIGHA	116	B	Multi-function pin: 1. MA10 sampled high at reset: output to the CPU FLUSH# pin. 2. MA10 sampled low at reset: input indicator for address above 128MB to disable the on-board cache and DRAM access.
LOCAL BUS INTERFACE			
LRDY#	161	I	Local bus ready input.
LDEV#0-1	157, 158	I	Input from one of two local bus devices indicating the device is accessed in the current cycle.
LREQ#0	160	I	Input from the local bus master to request the CPU bus ownership.
LGNT#0	159	O	Output to the local bus master to grant the CPU bus ownership.

LREQ#1/ BLSEL#/ SMEMR#	179	B	Multi-function pin: 1. MA8-7 sampled as 00 at reset: second local bus request. 2. MA8-7 sampled as 01 at reset: low DRAM bank select. 3. MA8 sampled as 1 at reset: SSMEMR# of the ISA bus.
LGNT#1/ BHSEL#/ TurboBus#	180	B	Multi-function pin: 1. MA8-7 sampled as 00 at reset: second local bus grant. 2. MA8-7 sampled as 01 at reset: high DRAM bank select. 3. MA8 sampled as 1 at reset: turbo bus active.
CACHE CONTROL			
CBOE#0-1	6, 7	O	Cache SRAM output enable for each bank.
CCS#0-1	8, 9	O	Cache SRAM chip select for each bank.
CWE#0-3	4, 5, 20, 21	O	Cache SRAM write enable for each byte.
A3SEL0-1	2, 3	O	Multi-function pin: 1. Two bank of SRAMs: address A3 for each bank to allow bank interleaving. 2. One bank of SRAM: address A2 and A3 for the SRAM.
TA0-7	11-14, 16-19	B	Tag data.
TAGWE#	51	O	Tag SRAM write enable.
DRAM CONTROL			
RAS#0-3/ MA11/ CLKSEL0-3	22, 23, 49, 50	O	Multi-function pin: 1. After power on reset: row address strobe for each bank (pair) of on-board DRAMs. For double bank pairs, BHSEL# and BLSEL# signals are used to distinguish between the two banks. RAS#3 is also used as MA11 if bank 3 is not populated. 2. At power on reset: frequency select for the clock generator.
CAS#0-3	45-48	O	Column address strobe for each byte of on-board DRAMs.
WE#	52	O	DRAM write enable.
MA0/ ROMCS#/ P13	24	B	Multi-function pin: 1. DRAM cycle: DRAM address 0. 2. Other cycle: qualified by MAMUX# to generate the ROM chip select. 3. Power-on Reset: input port P13 for the keyboard controller inside the VT82C406MV.
MA1/ KBCS#/ P14	25	B	Multi-function pin: 1. DRAM cycle: DRAM address 1. 2. Other cycle: qualified by MAMUX# to generate the keyboard controller chip select. 3. Power-on Reset: input port P14 for the keyboard controller.
MA2/ RTCCS#/ P15	26	B	Multi-function pin: 1. DRAM cycle: DRAM address 2. 2. Other cycle: qualified by MAMUX# to generate the RTC data select for the VT82C406MV. 3. Power-on Reset: input port P15 for the keyboard controller.
MA3/ RTCRW#/ P16	27	B	Multi-function pin: 1. DRAM cycle: DRAM address 3. 2. Other cycle: qualified by MAMUX# to generate the real time clock data read/write control. 3. Power-on Reset: input port P16 for the keyboard controller.

MA4-7/ PC0-3	30-33	O	Multi-function pin: 1. DRAM cycle: DRAM address 4-7. 2. Other cycle: power/peripheral control output to be latched by external latches (controlled by PCWE#).
MA8/ PCWE#	39	O	Multi-function pin: 1. DRAM cycle: DRAM address 8. 2. Other cycle: qualified by MAMUX# for controlling the write enable of the PC0-3 latches.
MA9-10	40, 41	O	DRAM address 9-10.
MPD0/ RTCCS#	34	B	Multi-function pin: 1. MA6 sampled high at reset: DRAM parity bit for byte 0. 2. MA6 sampled low at reset: RTCCS# for the VT82C406MV.
MPD1/ KBCS#	35	B	Multi-function pin: 1. MA6 sampled high at reset: DRAM parity bit for byte 1. 2. MA6 sampled low at reset: KBCS# for the keyboard controller.
MPD2/ IDEIOR#	36	B	Multi-function pin: 1. MA6 sampled high at reset: DRAM parity bit for byte 2. 2. MA6 sampled low at reset: IOR# for the IDE drives.
MPD3/ IDEIOW#	37	B	Multi-function pin: 1. MA6 sampled high at reset: DRAM parity bit for byte 3. 2. MA6 sampled low at reset: IOW# for the IDE drives.
ON-BOARD PERIPHERALS			
XD0-7	173-166	B	8-bit data bus for communication between the VT82C496G and on-board peripherals. The XD bus is buffered externally to drive the lower byte of the ISA SD bus.
XDIR	192	O	Directional control for the external XD to SD buffer.
ROMCS#/ MA0/ P13	24	B	Multi-function pin: 1. Non-DRAM cycle: qualified by MAMUX# to generate the ROM chip select. 2. DRAM cycle: DRAM address 0. 3. Power-on reset: input port P13 for the keyboard controller.
RTCW#/ MA3/ P16	27	B	Multi-function pin: 1. Non-DRAM cycle: qualified by MAMUX# to generate the real time clock data read/write control. 2. DRAM cycle: DRAM address 3. 3. Power-on Reset: input port P16 for the keyboard controller.
PC0-3/ MA4-7	30-33	O	Multi-function pin: 1. No-DRAM cycle: power/peripheral control output to be latched by external latches (controlled by PCWE#). 2. DRAM cycle: DRAM address 4-7.
PCWE#/ MA8	39	O	Multi-function pin: 1. Non-DRAM cycle: qualified by MAMUX# for controlling the write enable of the PC0-3 latches. DRAM cycle: DRAM address 8.
MAMUX#	148	O	Memory address/IO de-multiplex control. High indicates a DRAM cycle which deactivates all the chip selects for the on-board peripherals. For ISA memory cycle, this pin acts as LMEG# to derive the SMEMR# and SMEMW# from the MEMR# and MEMW#. This pin is low for ISA IO cycles to enable the chip select.
SPKR	193	O	Speaker output.

VT82C406MV INTERFACE

SCANIN	194	I	Scan input from the VT82C406MV.
SCANOUT	195	O	Scan output to the VT82C406MV.
RTCAS	163	O	Address strobe for the real time clock.
RTCCS#/ MA2/ P15	26	B	Multi-function pin: 1. Non-DRAM cycle: qualified by MAMUX# to generate the RTC data select for the VT82C406MV. 2. DRAM cycle: DRAM address 2. 3. Power-on Reset: input port P15 for the keyboard controller.
RTCCS#/ MPD0	34	B	Multi-function pin: 1. MA6 sampled low at reset: RTCCS# for the VT82C406MV. No qualification of MAMUX# is required. 2. MA6 sampled high at reset: DRAM parity bit for byte 0.
KBCS#/ MA1/ P14	25	B	Multi-function pin: 1. Non-DRAM cycle: qualified by MAMUX# to generate the keyboard controller chip select. 2. DRAM cycle: DRAM address 1. 3. Power-on Reset: input port P14 for the keyboard controller.
KBCS#/ MPD1	35	B	Multi-function pin: 1. MA6 sample low at reset: KBCS# for the keyboard controller. No qualification of MAMUX# is required. 2. MA6 sampled high at reset: DRAM parity bit for byte 1.
DACEN	174	O	DACK# control to the VT82C406MV.
ISA BUS CONTROL			
SA0-7	205-202, 199-196	B	System address for the ISA bus. Act as output during CPU, refresh and DMA cycles and as input during master cycles.
SBHE#	206	B	System byte high enable. Act as output during CPU, refresh and DMA cycles and as input during master cycles.
SD8-15	156-149	B	High byte system data for the ISA bus.
IOR#	175	B	ISA bus IO read command. Act as output during CPU and DMA cycles and as input during master cycles.
IOW#	176	B	ISA bus IO write command. Act as output during CPU and DMA cycles and as input during master cycles.
MEMR#	181	B	ISA bus memory read command. Act as output during CPU and DMA cycles and as input during master cycles.
MEMW#	182	B	ISA bus memory write command. Act as output during CPU and DMA cycles and as input during master cycles.
BALE	207	O	Buffered address latch enable for the ISA bus.
IO16#	177	I	IO cycle 16-bit select input from the ISA bus.
MS16#	178	I	Memory cycle 16-bit select input from the ISA bus.
MASTER#	189	I	Master cycle indicator from the ISA bus.
IOCHRDY#	184	I	IO channel ready input from the ISA bus.
REFRESH#	183	B	System DRAM refresh control. This pin is an open-drain output and allows other bus master to initiate refresh requests.
AEN	188	O	Address enable output to the ISA bus.
TC	190	O	DMA terminal count output to the ISA bus.

IDE CONTROL			
DCS#1/ SA3	202	B	Multi-function pin: 1. IDE cycle: IDE select DCS#1 2. other ISA cycle: SA3
DCS#3/ SA4	199	B	Multi-function pin: 1. IDE cycle: IDE select DCS#3 2. other ISA cycle: SA4
TurboBus#/ LGNT#1/ BHSEL#	180	B	Multi-function pin: 1. MA8 sampled as 1 at reset: turbo bus active. 2. MA8-7 sampled as 00 at reset: second local bus grant. 3. MA8-7 sampled as 01 at reset: high DRAM bank select.
TurboBus#/ TC	190	O	Multi-function pin: 1. non-DMA cycle: turbo bus active. 2. DMA cycle: DMA terminal count indicator.
IDEIOR#/ MPD2\	36	B	Multi-function pin: 1. MA6 sampled low at reset: IOR# for the IDE drives. 2. MA6 sampled high at reset: DRAM parity bit for byte 2.
IDEIOW#/ MPD3\	37	B	Multi-function pin: 1. MA6 sampled low at reset: IOW# for the IDE drives. 2. MA6 sampled high at reset: DRAM parity bit for byte 3.
POWER AND GROUND			
VDD	10, 28, 42, 43, 61, 97, 114, 147, 165, 185, 201	I	Power supply of 4.5 to 5.5V.
VSS	1, 15, 29, 38, 44, 60, 96, 119, 142, 164, 186, 200	I	Ground

Pin No.	Pin Name	Pin No.	Pin Name	Pin No.	Pin Name	Pin No.	Pin Name
1	VSS	53	CD15	105	BE#3	157	LDEV#0
2	A3SEL0	54	CD14	106	BE#2	158	LDEV#1
3	A3SEL1	55	CD13	107	BE#1	159	LGNT#0
4	CWE#0	56	CD12	108	BE#0	160	LREQ#0
5	CWE#1	57	CD11	109	ADS#	161	LRDY#
6	CBOE#0	58	CD10	110	MIO#	162	CLKIN
7	CBOE#1	59	BRDY#	111	WR#	163	RTCAS
8	CCS#0	60	VSS	112	SMIACT#	164	VSS
9	CCS#1	61	VDD	113	READY#	165	VDD
10	VDD	62	CD9	114	VDD	166	XD7
11	TA0	63	CD8	115	HITM#	167	XD6
12	TA1	64	CD7	116	FLUSH#	168	XD5
13	TA2	65	CD6	117	STPCLK#	169	XD4
14	TA3	66	CD5	118	CPUCLKO	170	XD3
15	VSS	67	CD4	119	VSS	171	XD2
16	TA4	68	CD3	120	DC#	172	XD1
17	TA5	69	CD2	121	CD31	173	XD0
18	TA6	70	CD1	122	CD30	174	DACEN
19	TA7	71	CD0	123	CD29	175	IOR#
20	CWE#2	72	BLAST#	124	CD28	176	IOW#
21	CWE#3	73	KEN#	125	CD27	177	IO16#
22	RAS#0	74	IGNNE#	126	CD26	178	MS16#
23	RAS#1	75	FERR#	127	CD25	179	BLSEL#
24	MA0	76	A20M#	128	CD24	180	BHSEL#
25	MA1	77	NMI	129	CD23	181	MEMR#
26	MA2	78	CA26	130	CD22	182	MEMW#
27	MA3	79	CA25	131	CD21	183	REFRESH#
28	VDD	80	CA24	132	CD20	184	IOCHRDY#
29	VSS	81	CA23	133	CD19	185	VDD
30	MA4	82	CA22	134	CD18	186	VSS
31	MA5	83	CA21	135	CD17	187	OSC
32	MA6	84	CA20	136	CD16	188	AEN
33	MA7	85	CA19	137	CPURST	189	MASTER#
34	MPD0	86	CA18	138	EADS#	190	TC
35	MPD1	87	CA17	139	HOLD	191	INTR
36	MPD2	88	CA16	140	HLDA	192	XDIR
37	MPD3	89	CA15	141	SMI#	193	SPKR
38	VSS	90	CA14	142	VSS	194	SCANIN
39	MA8	91	CA13	143	INIT	195	SCANOUT
40	MA9	92	CA12	144	RESET#	196	SA7
41	MA10	93	CA11	145	CPUCLKI	197	SA6
42	VDD	94	CA10	146	PWRGOOD	198	SA5
43	VDD	95	CA9	147	VDD	199	SA4
44	VSS	96	VSS	148	MAMUX#	200	VSS
45	CAS#0	97	VDD	149	SD15	201	VDD
46	CAS#1	98	CA8	150	SD14	202	SA3
47	CAS#2	99	CA7	151	SD13	203	SA2
48	CAS#3	100	CA6	152	SD12	204	SA1
49	RAS#2	101	CA5	153	SD11	205	SA0
50	RAS#3	102	CA4	154	SD10	206	SBHE#
51	TAGWE#	103	CA3	155	SD9	207	BALE
52	WE#	104	CA2	156	SD8	208	SYSCLK

ELECTRICAL CHARACTERISTICS

Absolute Maximum Ratings

Parameter	Min	Max	Unit
Ambient operating temperature	0	70	°C
Storage temperature	-55	125	°C
Input voltage	-0.5	5.5	V
Output voltage	-0.5	5.5	V

Note :

Stress above these listed cause permanent damage to device. Functional operation of this device should be restricted to the conditions described under operating conditions.

DC Characteristics

TA=0-70°C, V_{DD}=5V=±5%, GND=0V

Symbol	Parameter	Min	Max	Unit	Condition
V _{IL}	Input low voltage	-0.5	0.8	V	
V _{IH}	Input high voltage	2.0	V _{DD} +0.5	V	
V _{OL}	Output low voltage	-	0.45	V	I _{OL} =4.0mA
V _{OH}	Output high voltage	2.4	-	V	I _{OH} =-1.0mA
I _{IL}	Input leakage current	-	±10	µA	0<V _{IN} <V _{DD}
I _{OZ}	Tristate leakage current	-	±20	µA	0.45<V _{OUT} <V _{DD}
I _{CC}	Power supply current	-	80	mA	

CPU Cycle AC Characteristics

Symbol	Description	min (ns)	max (ns)
T100	ADS# setup time to CCLK2 rising edge	7	
T101	BRDY# active delay from TA<7:0> valid		13
T102	A3SEL<1:0> valid delay from CA<3:2> valid		12
T103	CBOE<1:0> active delay from CA<3:2> valid		15
T104	CBOE<1:0> active delay from CCLK2 rising edge		11
T105	A3SEL<1:0> valid delay from CCLK2 rising edge		14
T106	KEN# active delay from CCLK2 rising edge		13
T107	READY# active delay from CCLK2 rising edge		12
T108	READY# hold time from CCLK2 rising edge		13
T109	BRDY# hold time from CCLK2 rising edge		13
T110	BLAST# setup time from CCLK2 rising edge	7	
T111	BRDY# active delay from CCLK2 rising edge		11
T112	CBOE# active delay from ADS#		15
T113	CCS# active delay from ADS#		11
T114	A3SEL<1:0> valid delay from CA<3:2>		12
T115	CWE#<3:0> active delay from CCLK2 falling edge		11
T116	CWE#<3:0> hole time from CCLK2 rising edge		10
T117	READY# active delay from TA<7:0> valid		14
T118	CWE# active delay from CCLK2 rising edge		11
T119	CCS# active delay from CA<3:2> valid		12
T120	CBOE# inactive delay from CCLK2 rising edge		12
T121	CCS# valid delay from CCLK2 rising edge		11
T122	TAGWE# active delay from CCLK2 rising edge		13
T123	ALTWE# active delay from CCLK2 rising edge		13
T124	TAGWE# hold time from CCLK2 rising edge		12
T125	ALTWE# hold time from CCLK2 rising edge		12
T126	TA<7:0> output delay from CCLK2 rising edge		15
T127	KEN# inactive delay from CCLK2 rising edge		15
T128	RAS# active delay from CCLK2 rising edge		16
T129	MA valid delay from CCLK2 rising edge		18
T130	CAS# active delay from CCLK2 rising edge		14
T131	CAS# hold time from CCLK2 rising edge		15
T132	RAS# inactive delay from CCLK2 rising edge		17
T133	WE# active delay from CCLK2 rising edge		16
T134	WE# inactive delay from CCLK2 rising edge		15

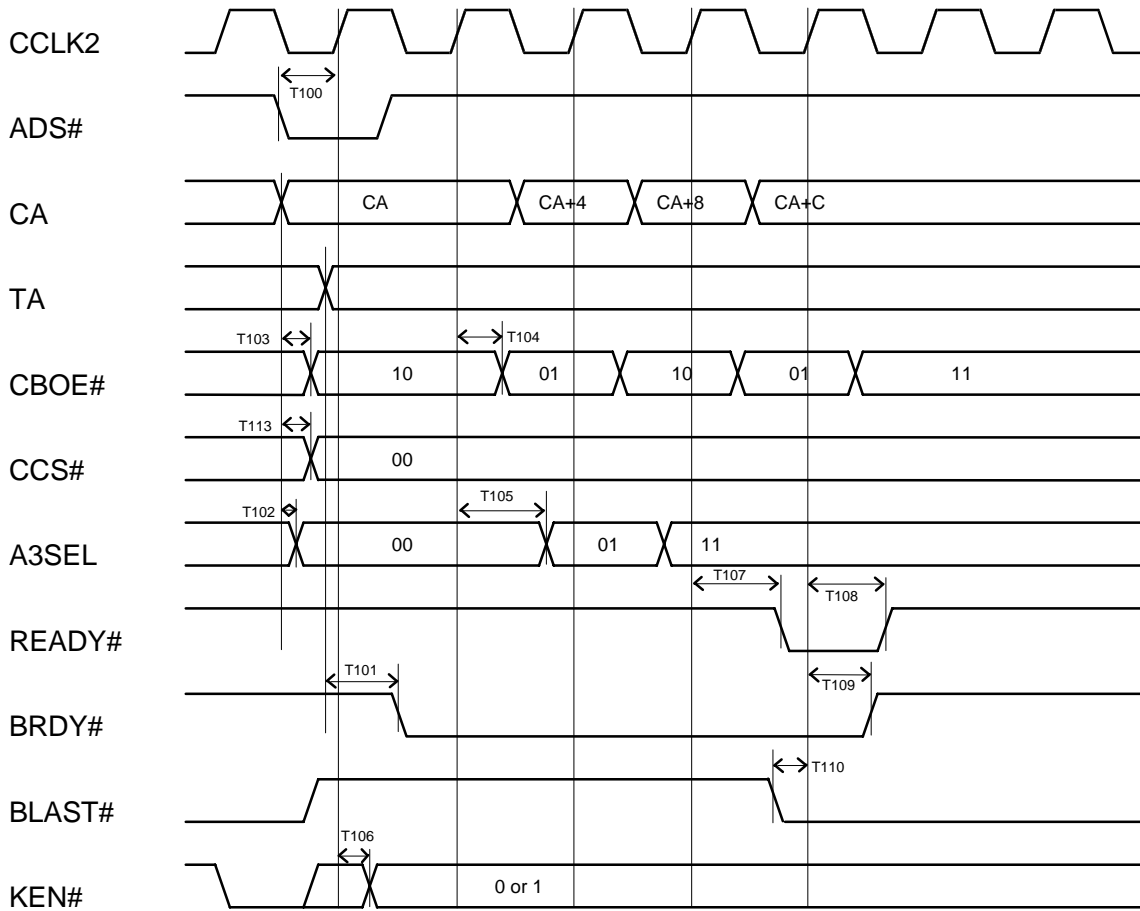
ISA Master Cycle AC Characteristics

Symbol	Description	min(ns)	max(ns)
T200	RAS# active delay from CCLK2 falling edge		18
T201	RAS# inactive delay from MEMW# rising edge		16
T202	column MA valid delay from CCLK2 rising edge		20
T203	CAS# active delay from CCLK2 falling edge		17
T204	ADS# active delay from CCLK2 rising edge		15
T205	ADS# hold time from CCLK2 rising edge		25
T206	EADS# active delay from CCLK2 rising edge		23
T207	EADS# hold time from CCLK2 rising edge		17
T208	CAS# inactive delay from MEMR# rising edge		17
T209	CBOE# active delay from CCLK2 rising edge		14
T210	CBOE# inactive delay from CCLK2 rising edge		15
T211	CCS# active delay from CCLK2 rising edge		15
T212	A3SEL active delay from CCLK2 rising edge		16
T213	CWE# active delay from CCLK2 rising edge		16
T214	CWE# inactive delay from CCLK2 rising edge		20

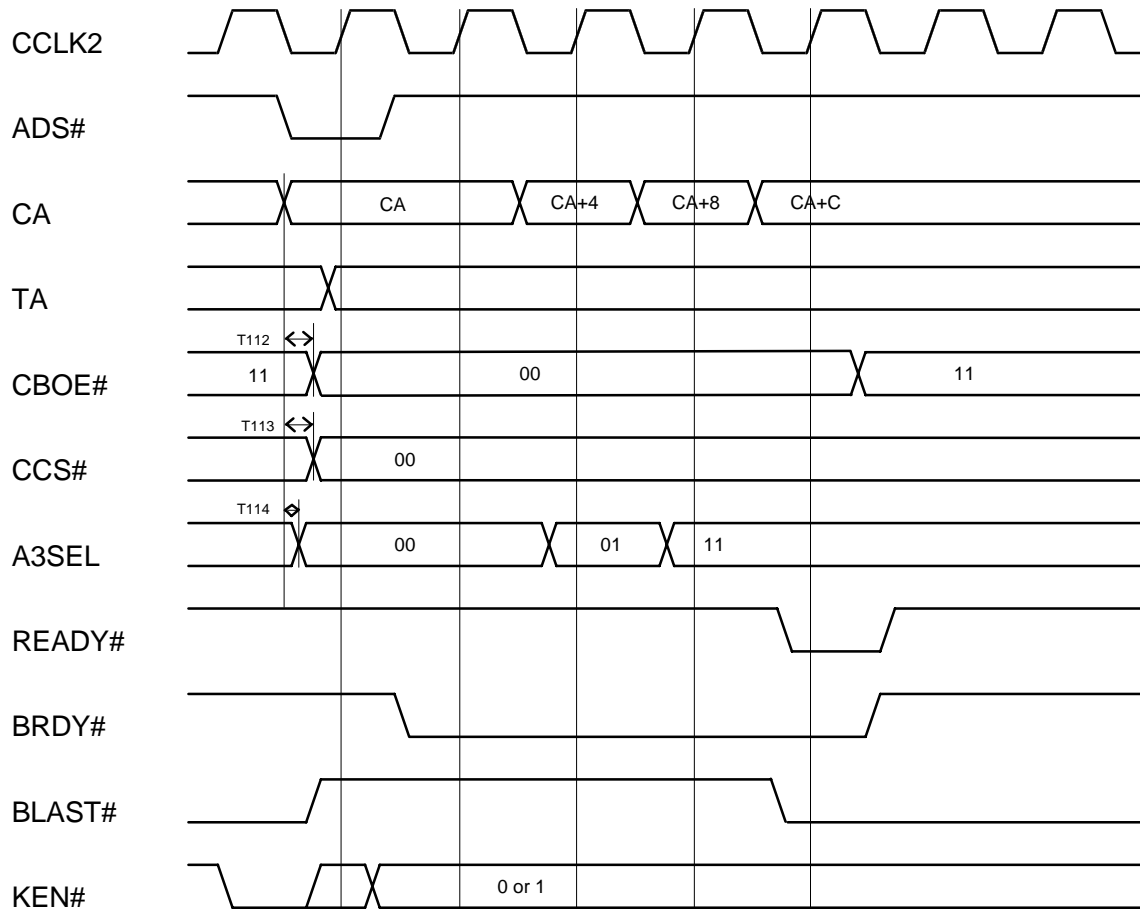
Local Bus Cycle AC Characteristics

Symbol	Description	min(ns)	max(ns)
T400	LOCAL# setup time to CCLK2 rising edge	7	
T401	NPRDY# setup timeto CCLK2 rising edge	7	
T402	CHRDY inactive delay from LOCAL# falling edge		15
T403	CHRDY float delay from NPRDY# falling edge		20
T404	LDSTB active delay from NPRDY# falling edge		13
T405	LDSTB inactive delay from NPRDY# rising edge		14
T406	MDEN# delay from LOCAL# falling edge		20

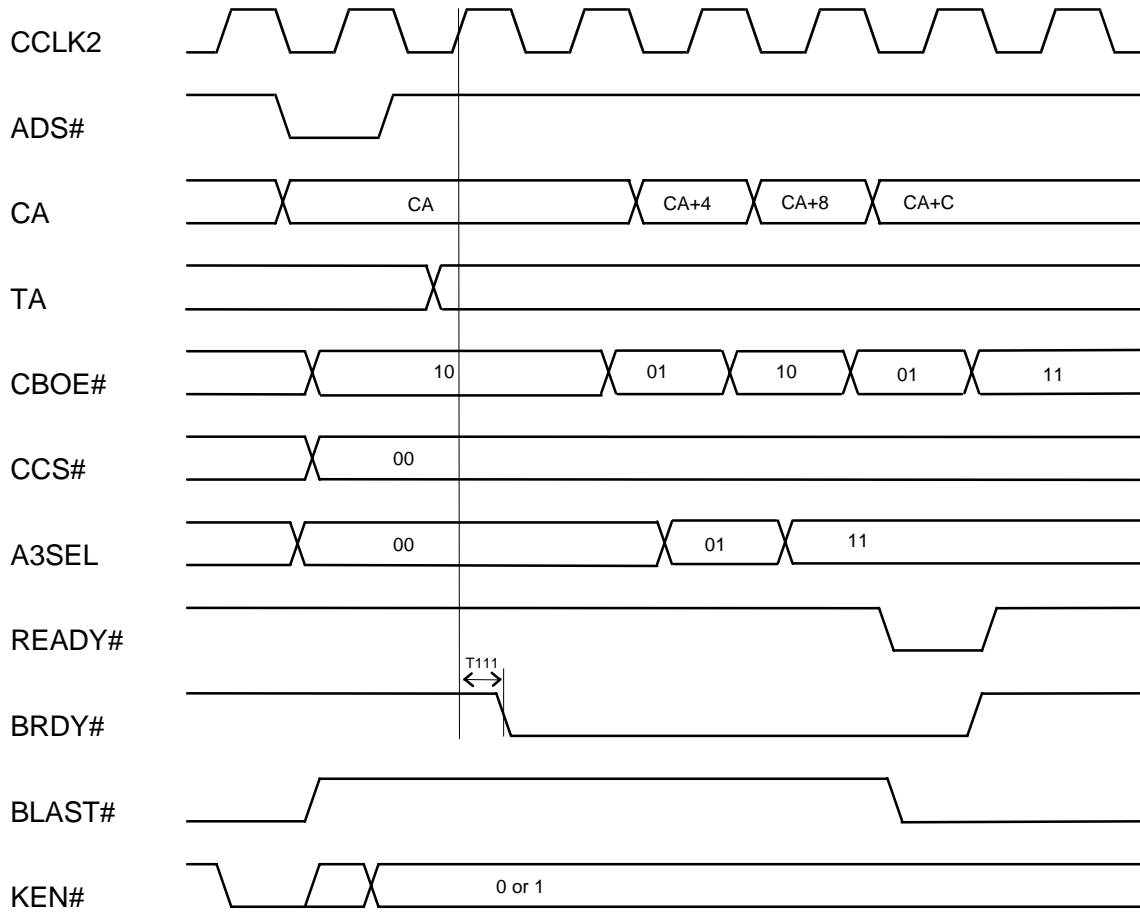
Cache Read Hit Cycle (Burst 2-1-1-1, 2Bank)



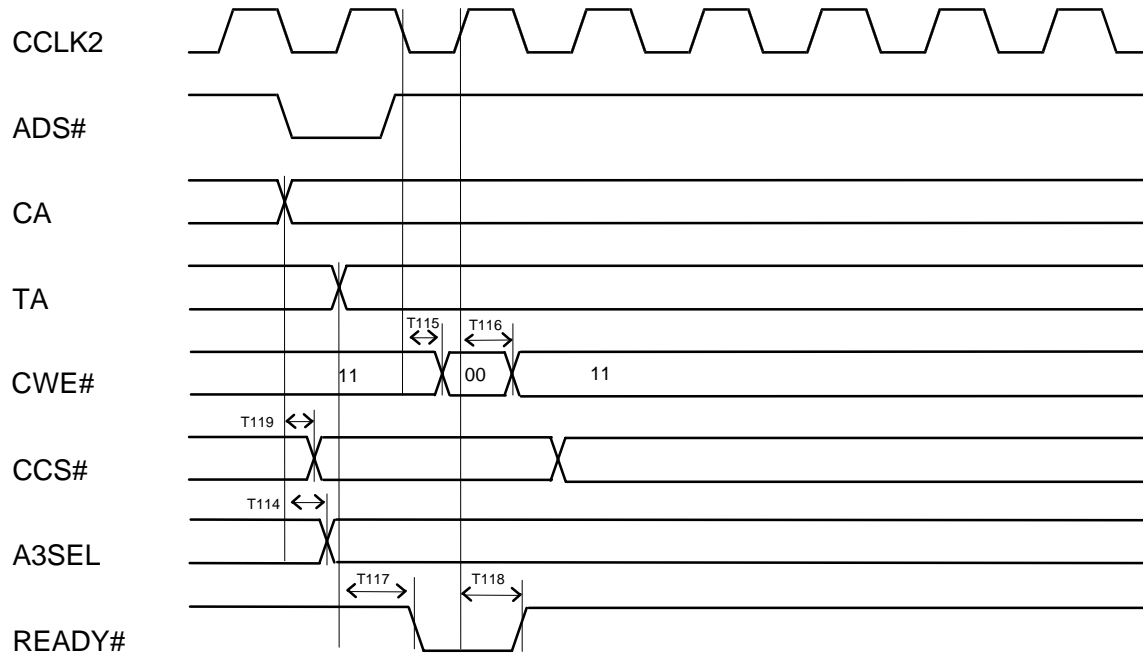
Cache Read Hit Cycle (Burst 2-1-1-1, 1Bank)



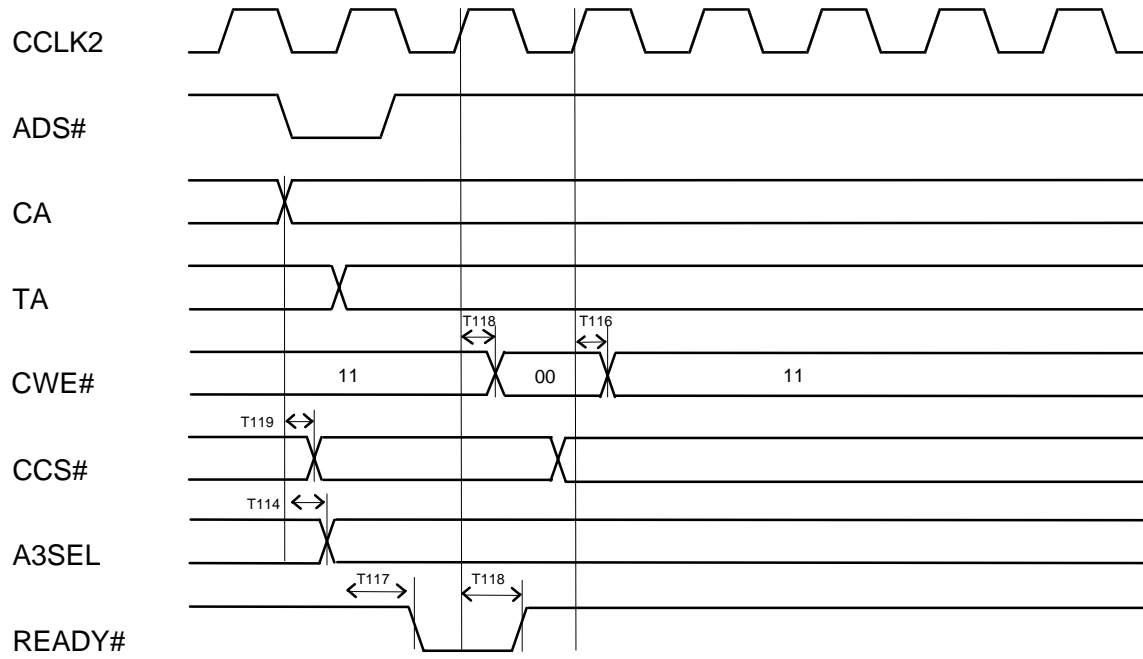
Cache Read Hit Cycle (Burst 3-1-1-1)



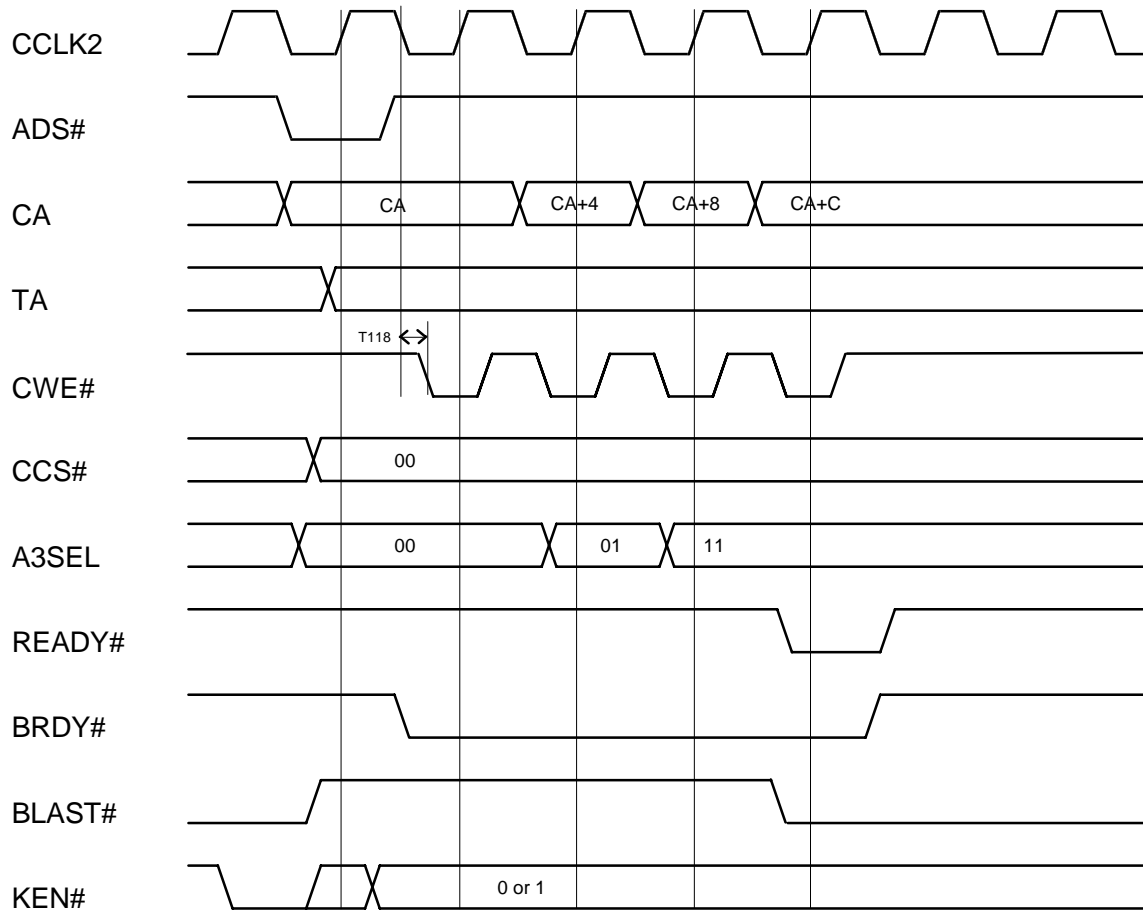
Cache Write Hit Cycle (0WS)



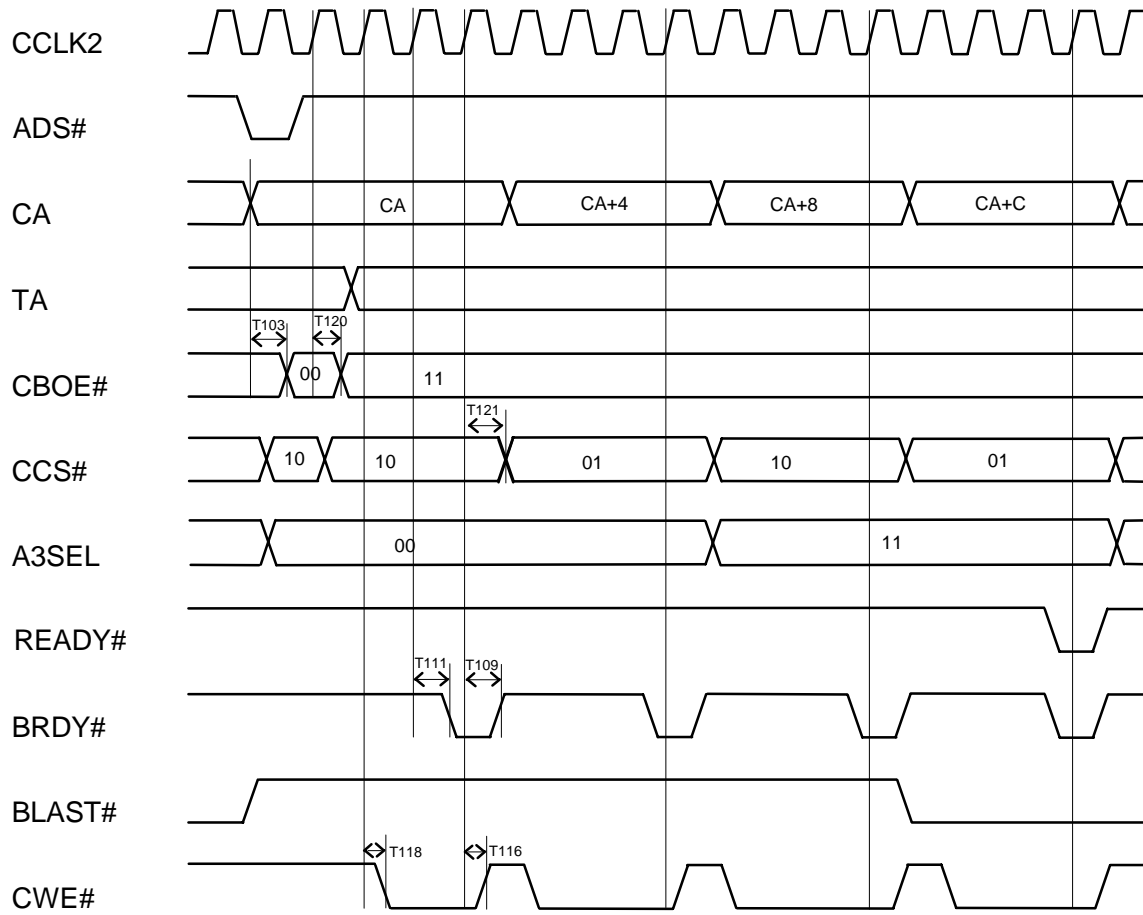
Cache Write Hit Cycle (1WS)



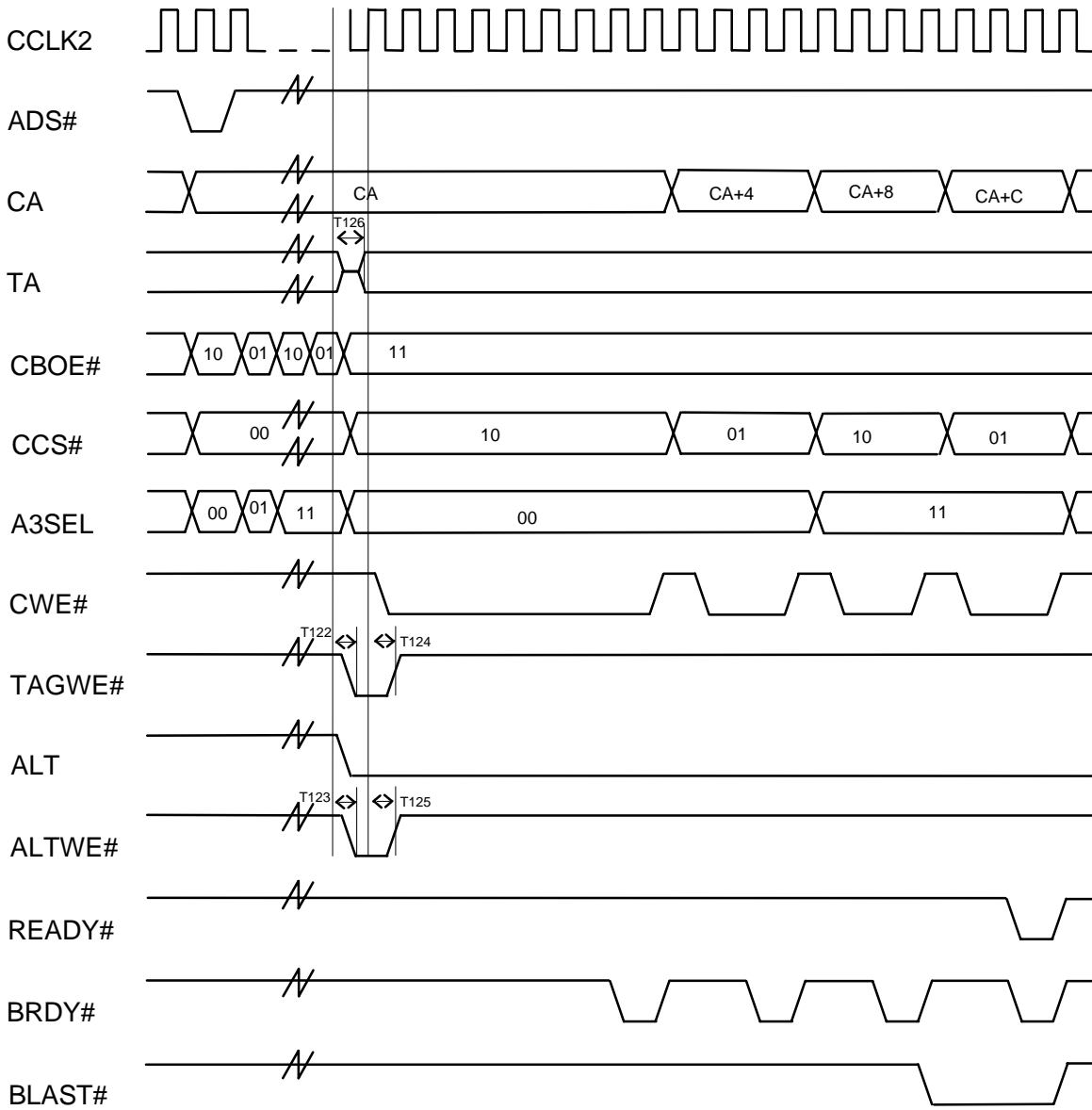
Cache Write Hit Cycle (Burst 2-1-1-1, 2Bank)



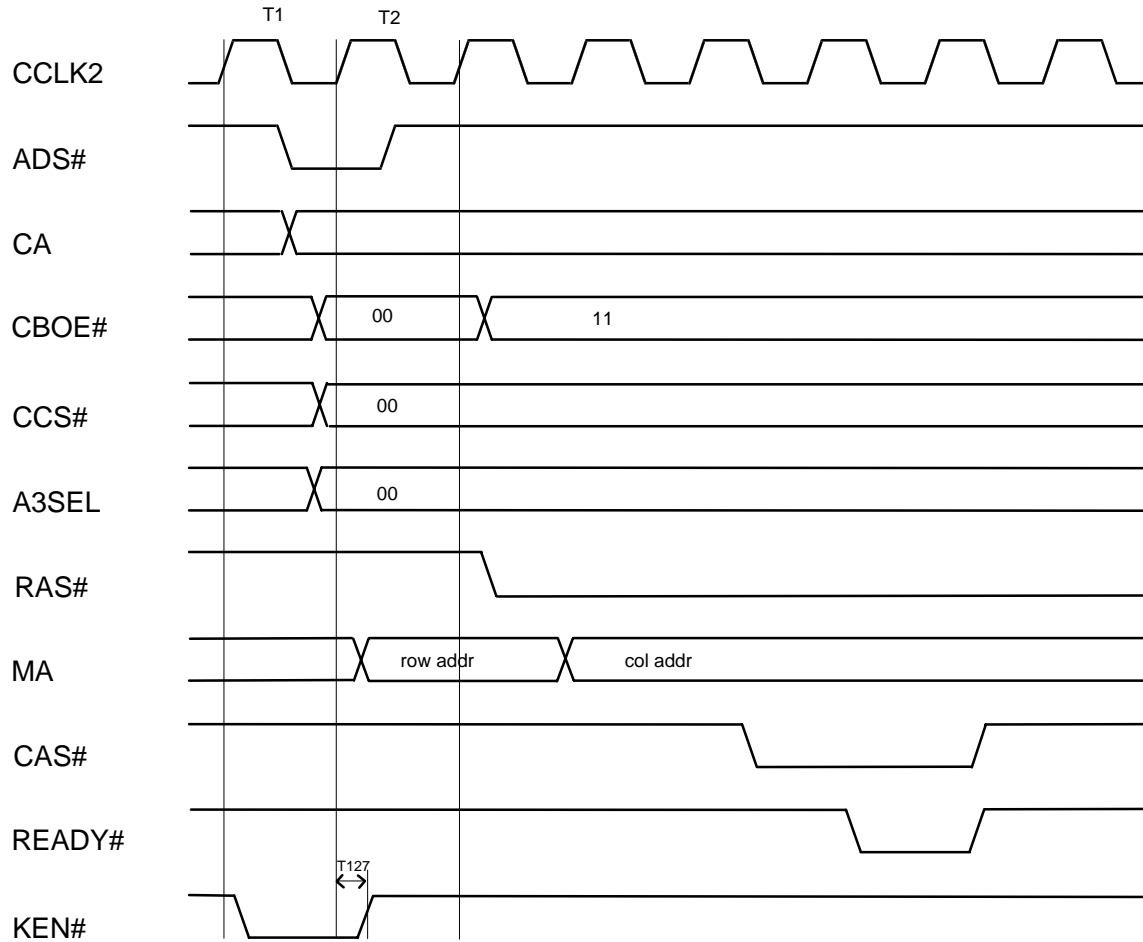
Cache Read Miss Fill Cycle (2Bank)



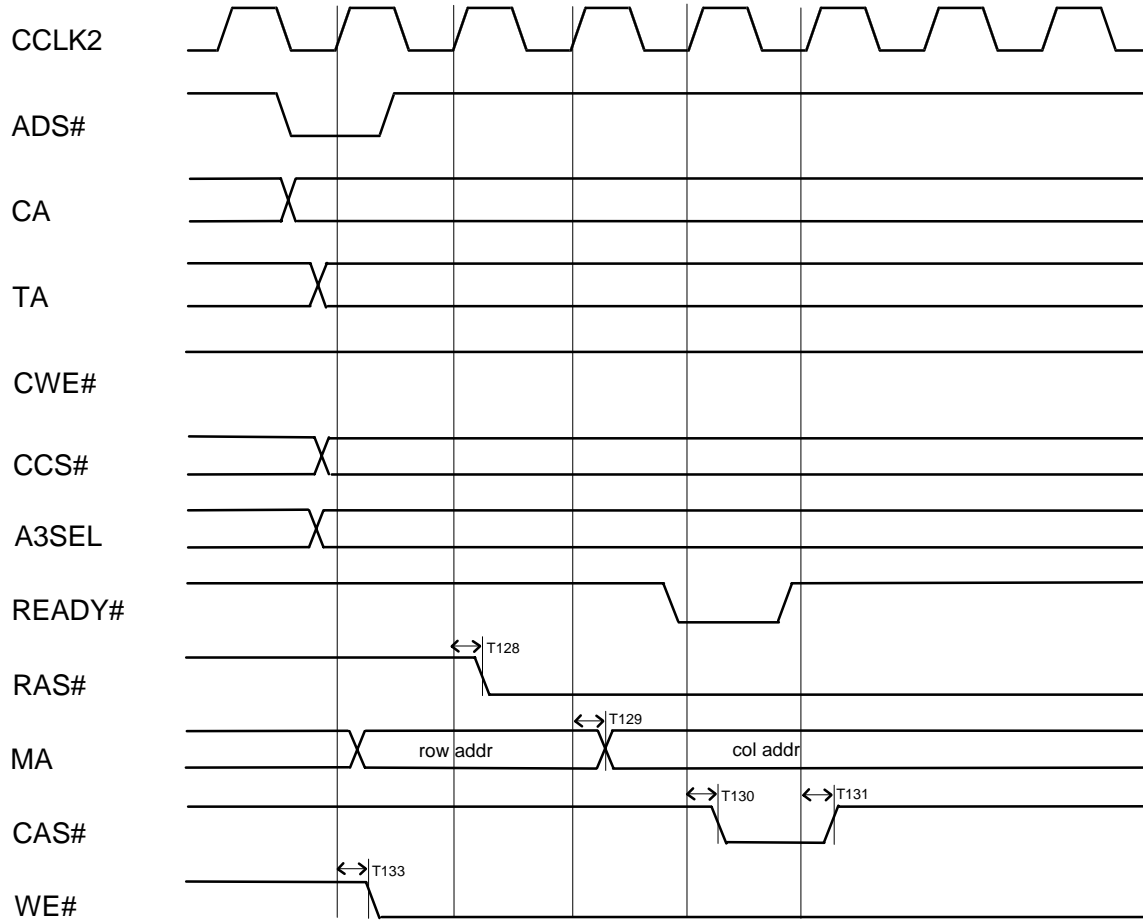
Cache Read Miss Dirty Fill Cycle (2Bank)



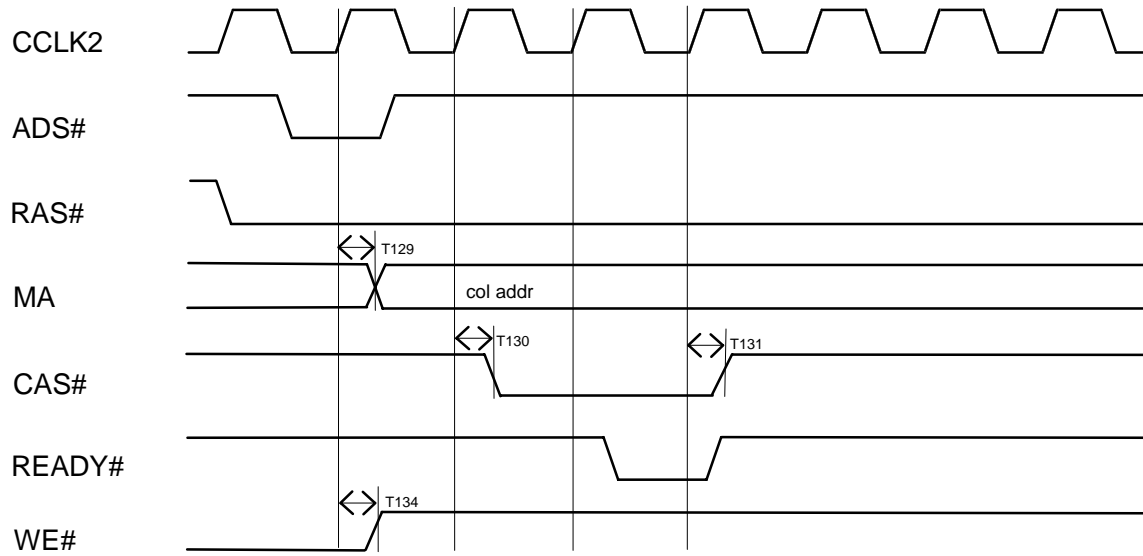
Cache Read Miss Non-Cacheable



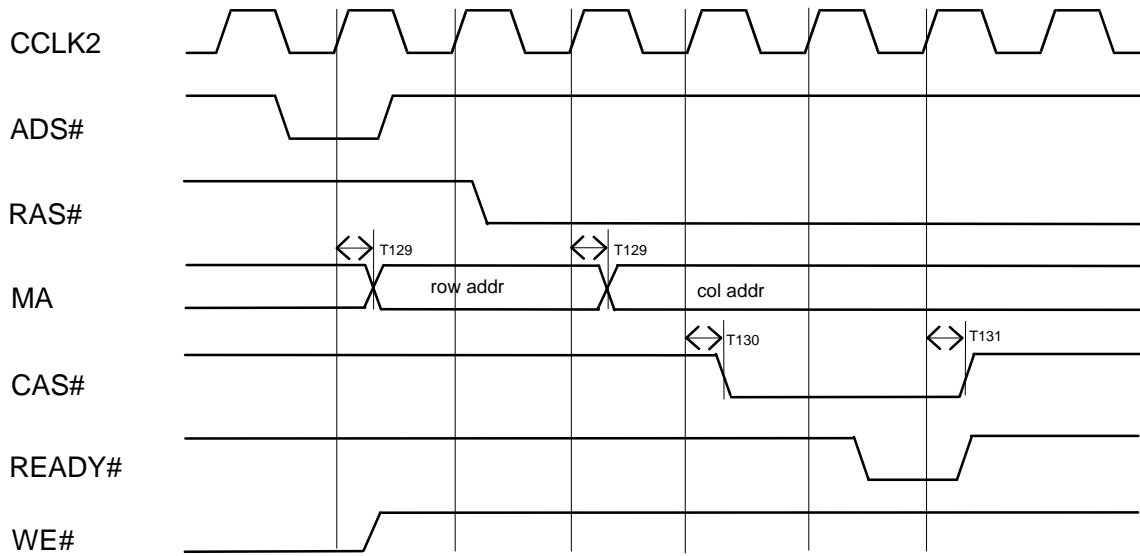
Cache Write Miss Cycle



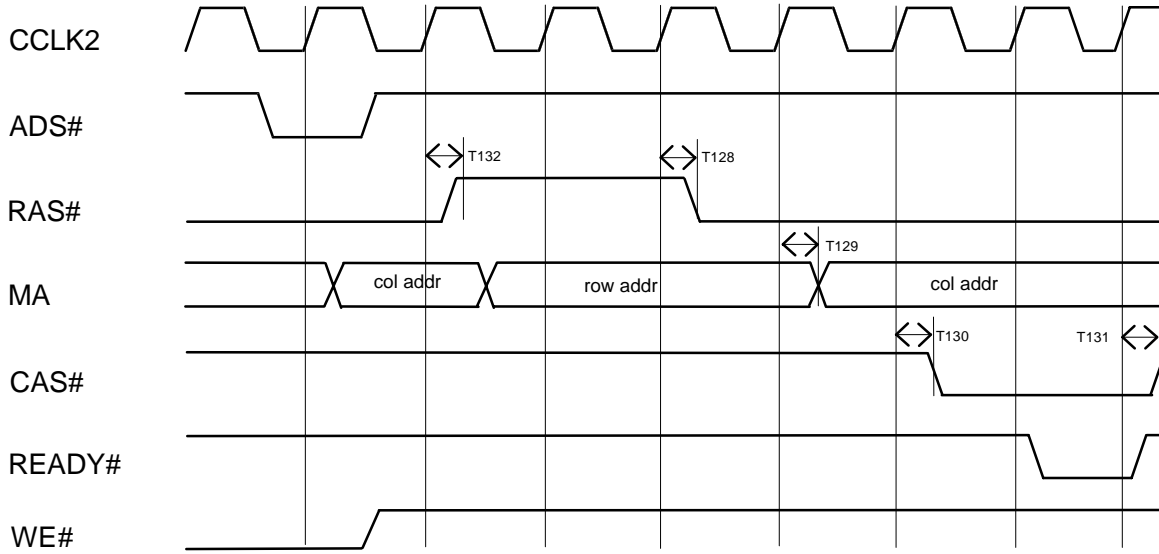
DRAM Read Cycle (On Page, RX22=64h)



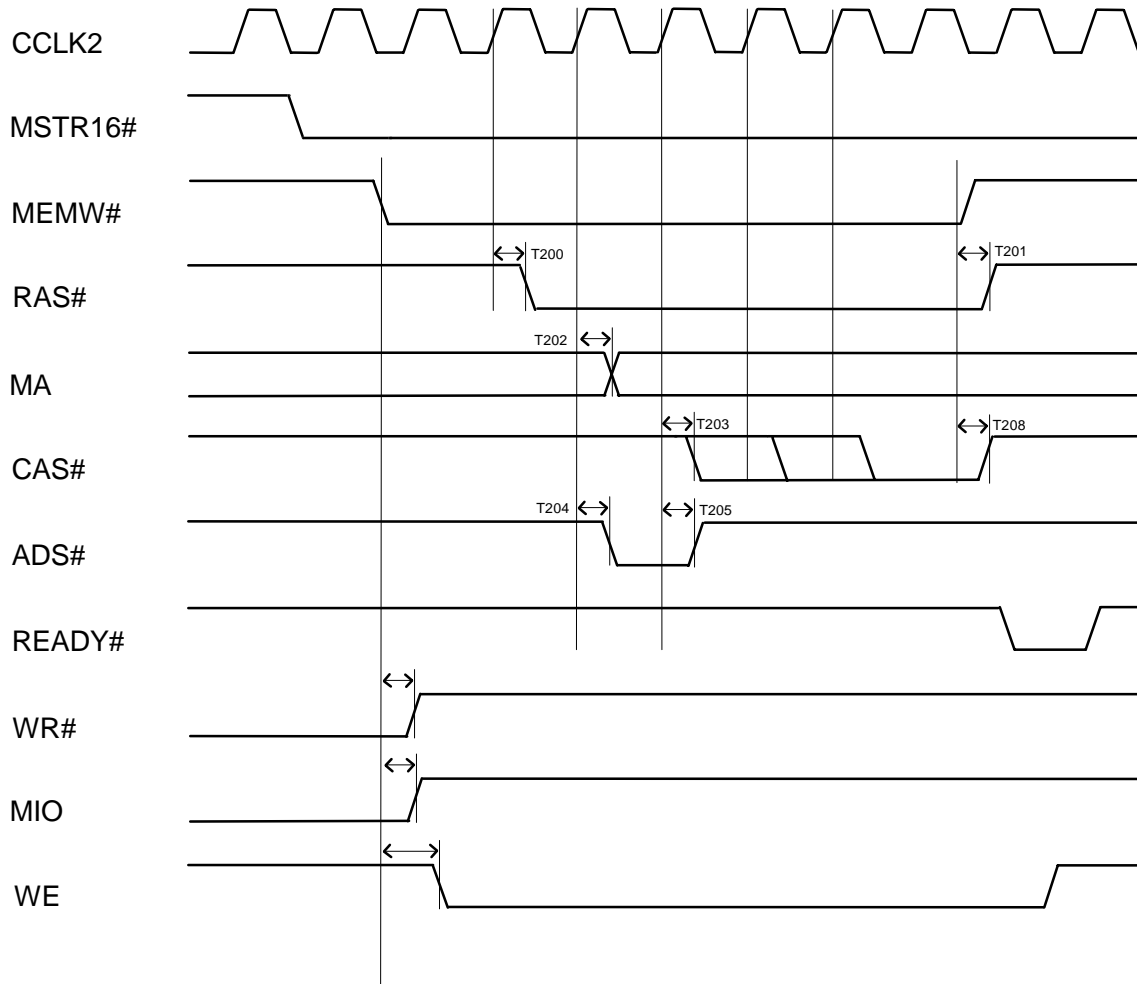
DRAM Read Cycle (Start Page, RX22=64h)



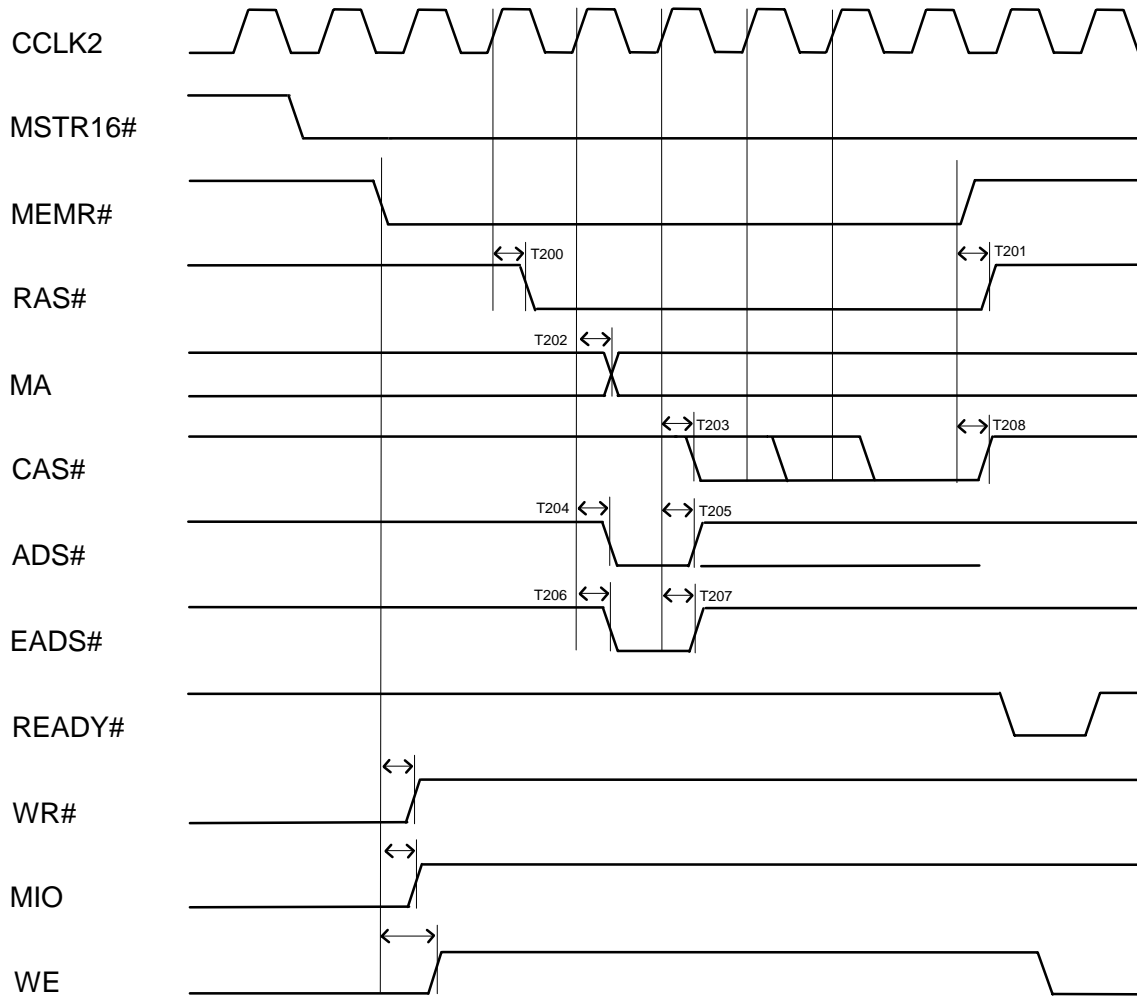
DRAM Read Cycle (Off Page, RX22=64h)



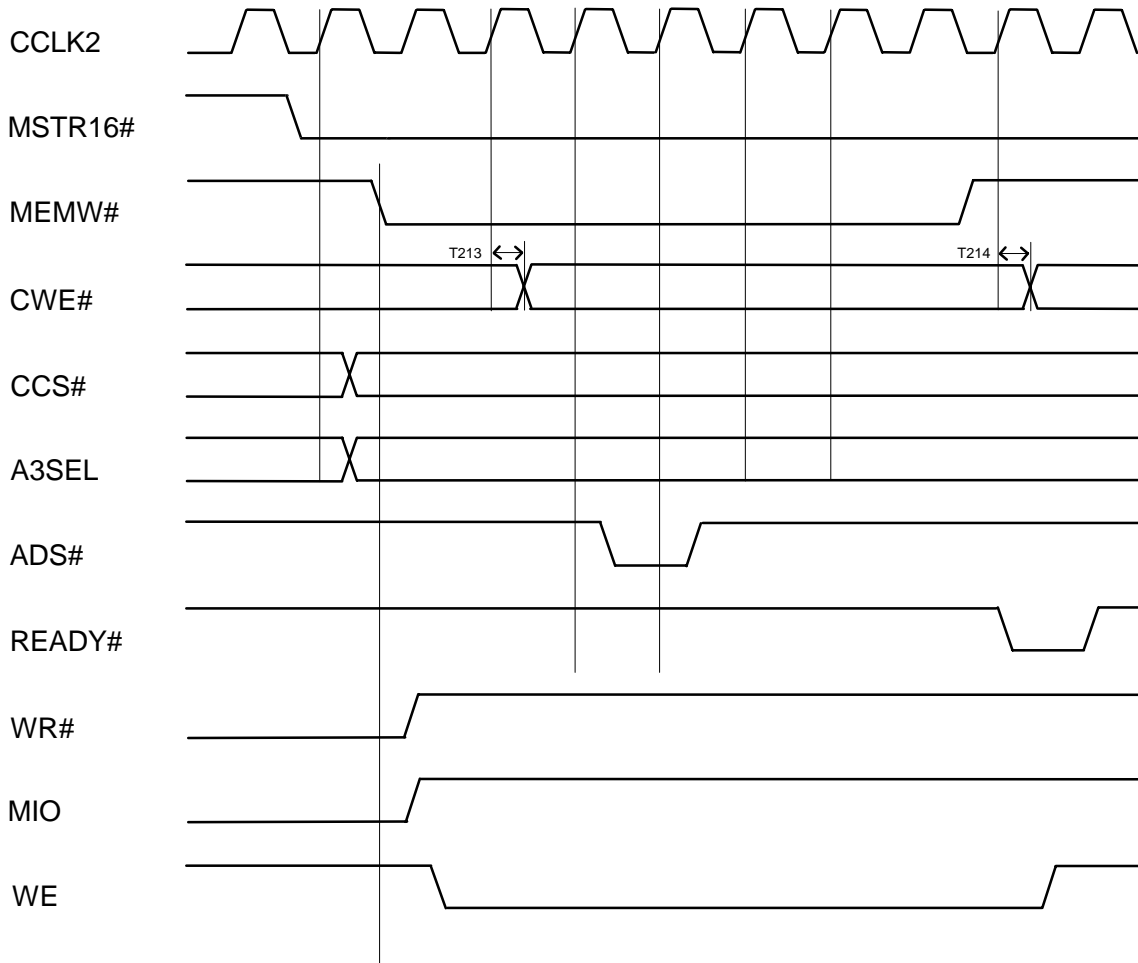
ISA Master DRAM Write Cycle



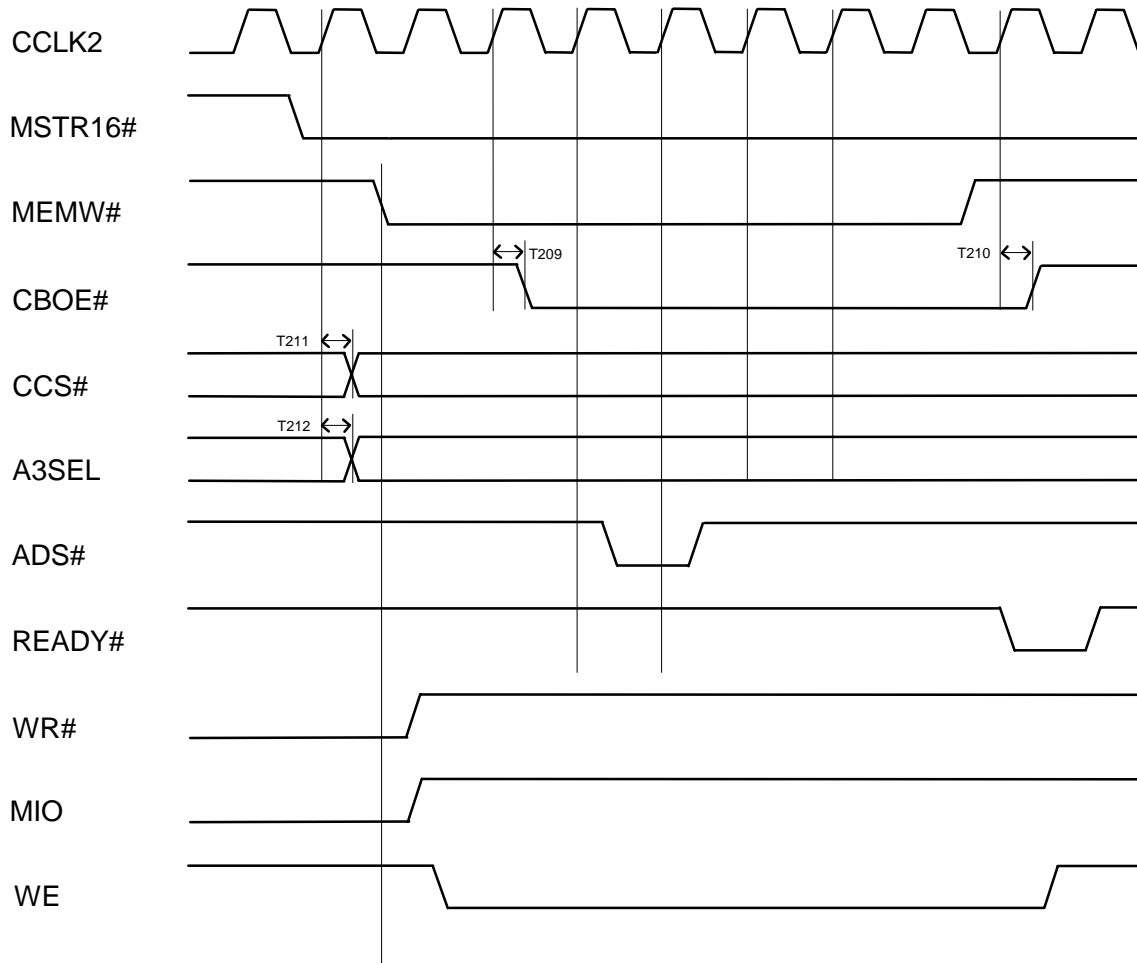
ISA Master DRAM Read Cycle



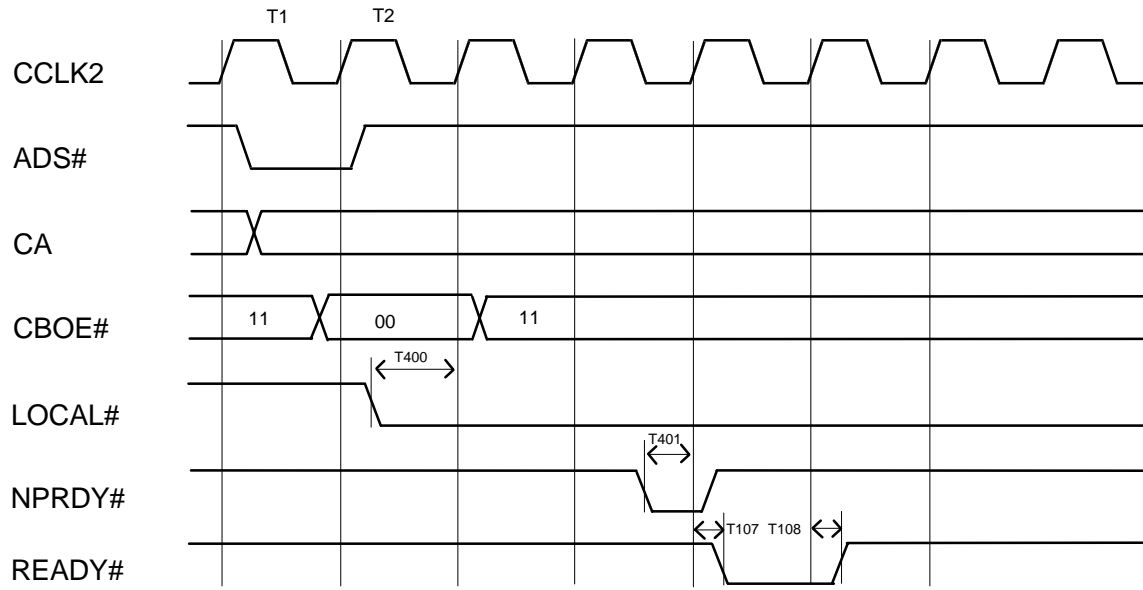
ISA Master Cache Write Cycle



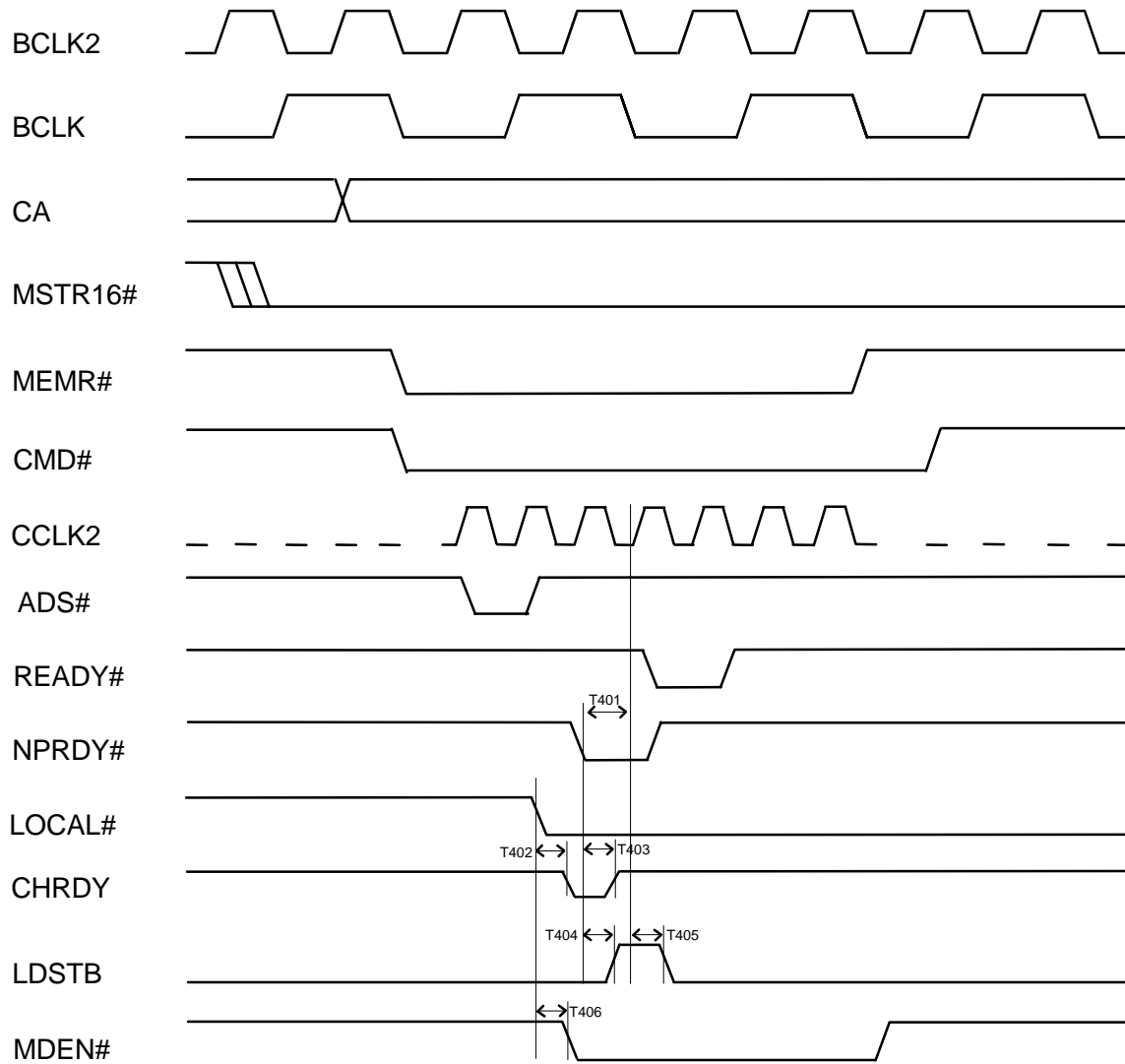
ISA Master Cache Read Cycle



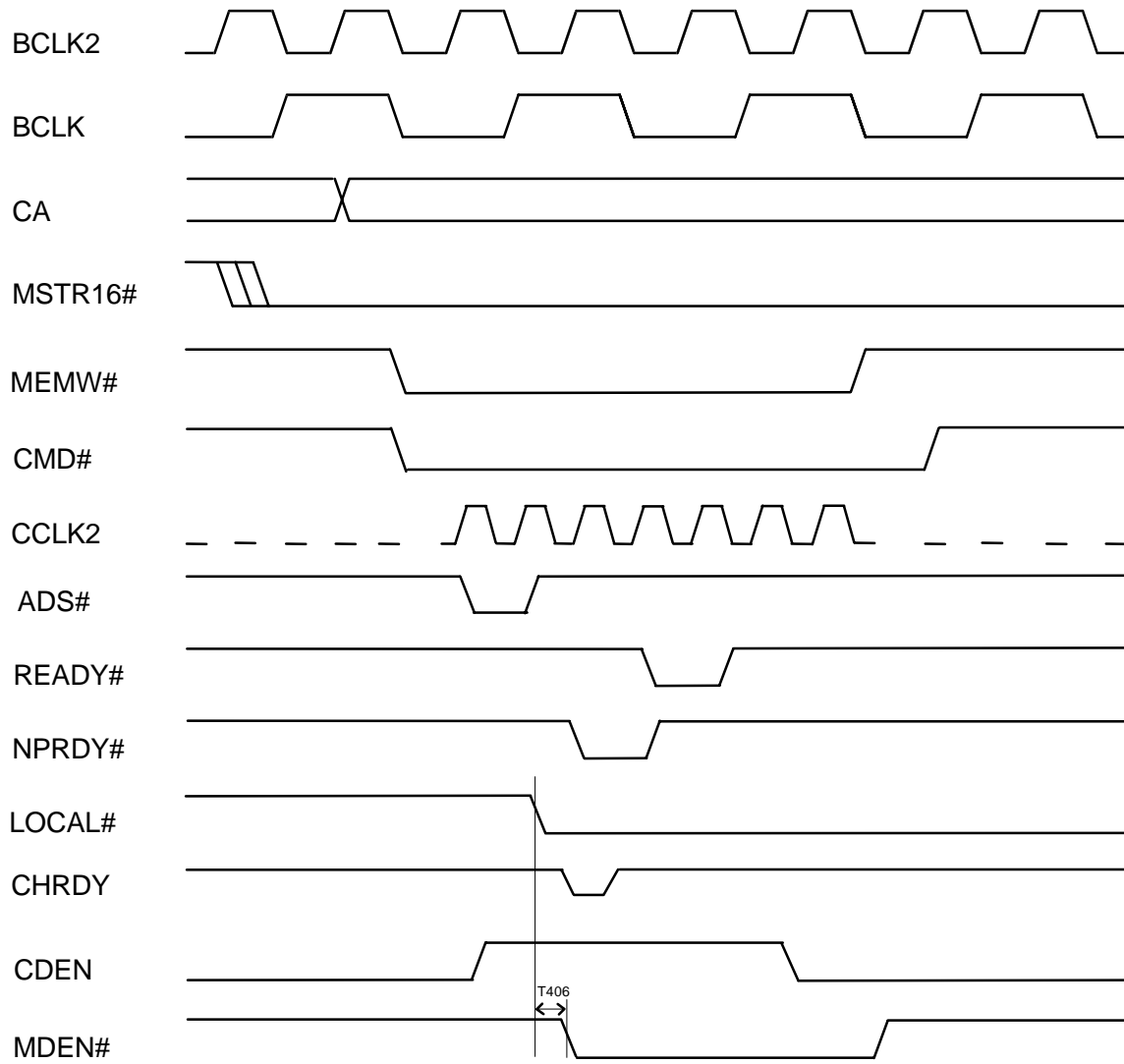
Local Bus Read Cycle



ISA Master Local Read Cycle



ISA Master Local Write Cycle



208-Pin Plastic Flat Package

